



PAVING BLOCK MOULD SAMPLES



ABOUT US

Mega Machinery And Mould Industry is a branch of Mega Export that started its commercial activities in 2007. Our company started to grow rapidly thanks to the experienced and expert staff and today it continues its trade life with the factory area established on 8.000 m2 area. In our projects, we manufacture every type of moulds for interlocking paving block and hollow block machines without any dependence on other companies and using superior technologies in our modern facility.

OUR MISSION AND VISION

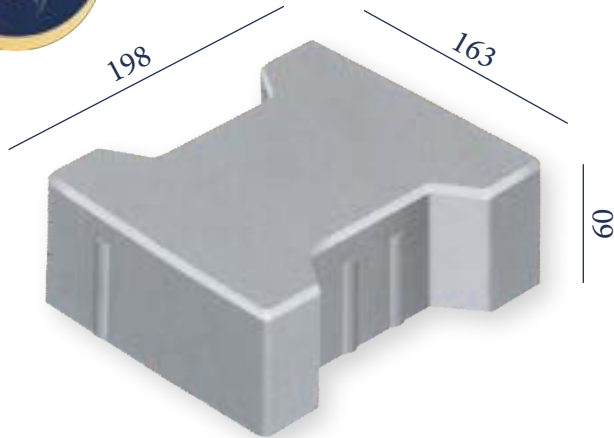
Mega Machinery And Mould Industry; Industrial service activities, applying universal standards, following the economic and technological developments, taking into account the demands from the customers, aiming to produce reliable products without compromising on the quality. Our company aims to produce concrete paving and hollow block machine moulds in line with the developing technologies and world standards. Design, spare parts, labor, installation and after-sales service quality has met the desired level, giving importance to scientific developments and thanks to the experienced personnel, has succeeded to be the leader and pioneer organization in overseas marketing.

OUR LEADING IDENTITY IN THE INDUSTRY

Our leading identity in the concrete mould industry and our belief in quality have been effective in making decisions based on data by using the opportunities offered by technology in line with the principles of research, innovation and competence. Being aware of social responsibility, understanding both parties, our importance for tolerance and support and our responsibility to environment are the other main factors that make us distinct. Our main aim is to lead Mega Machinery to the future by considering the customer satisfaction and welfare of the employees with the professional management. Our most distinctive feature that makes us different from our competitors is that we do our best to keep our customers satisfied.



PAVING BLOCK MOULD SAMPLES

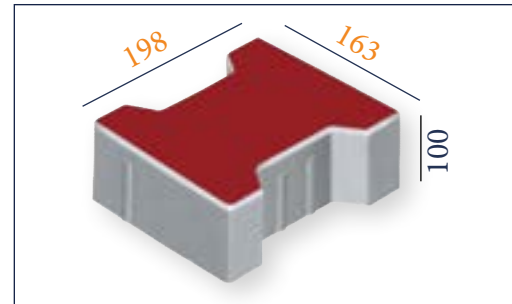
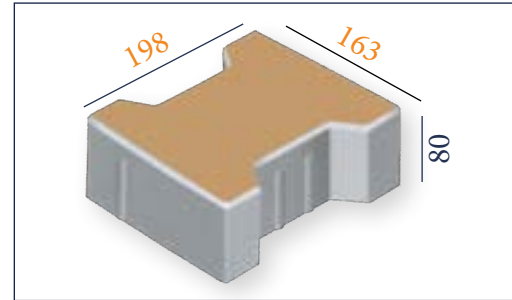


PRK - 01 / INTERLOCKING BLOCK
STANDARD: 198 x 163 x 60 mm



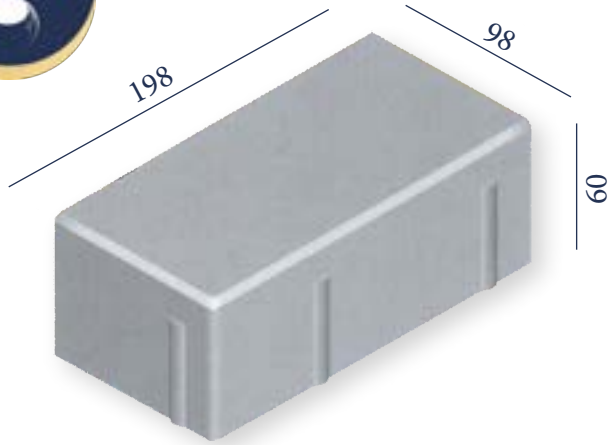
www.megamoulds.com

THICKNESSES



MEASUREMENTS

Standard Length:	198 mm
Standard Width:	163 mm
Standard Height:	60 mm
Piece Area dm ² :	3.2
Used Pieces Per Square Meter:	36



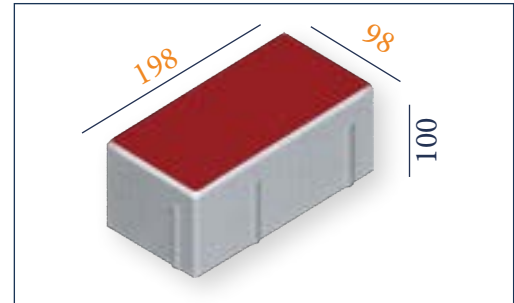
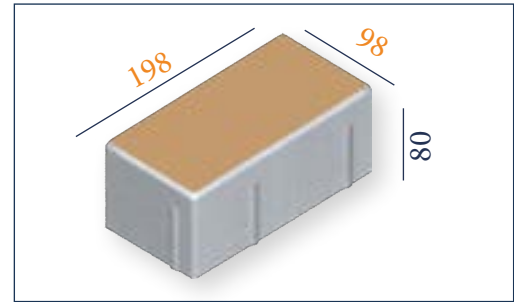
PRK - 02 / INTERLOCKING BLOCK

STANDARD: 198 x 98 x 60 mm



www.megamoulds.com

THICKNESSES



MEASUREMENTS

Standard Length:	198 mm
Standard Width:	98 mm
Standard Height:	60 mm
Piece Area dm ² :	1.94
Used Pieces Per Square Meter:	52



+90 545 347 17 61



+90 542 359 67 62



+90 542 359 67 50



+90 542 359 67 37

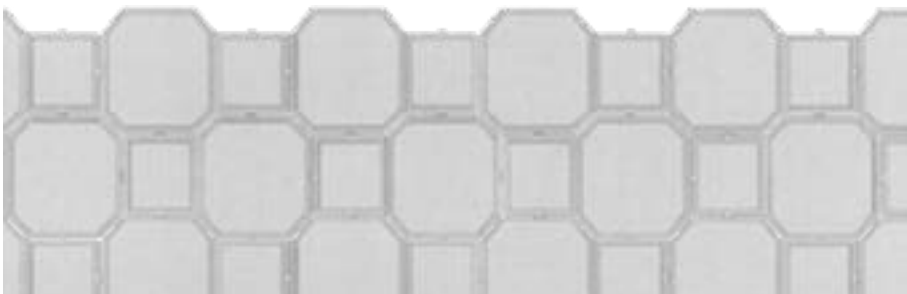
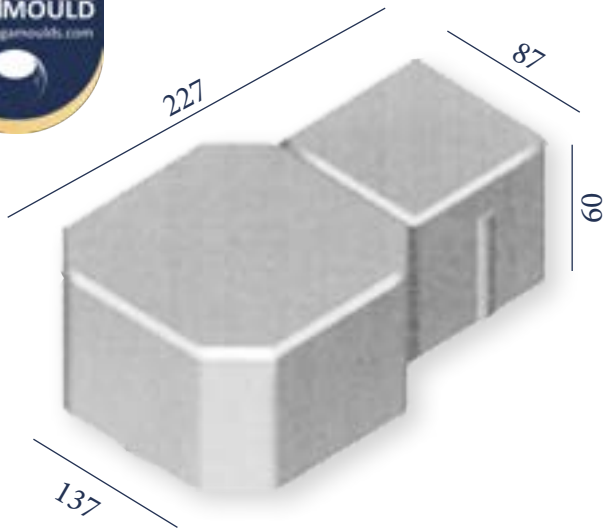


+90 542 359 67 65



+90 542 359 67 92

002

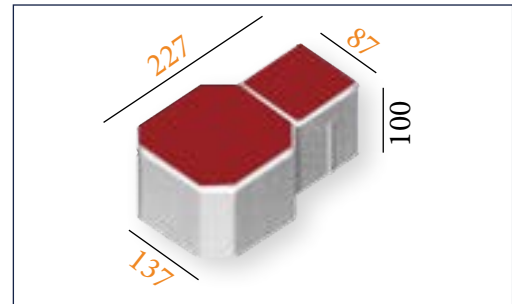
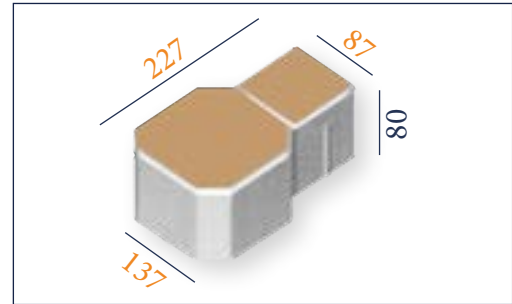


PRK - 03 / INTERLOCKING BLOCK

STANDARD: 227 x 137 - 87 x 60 mm

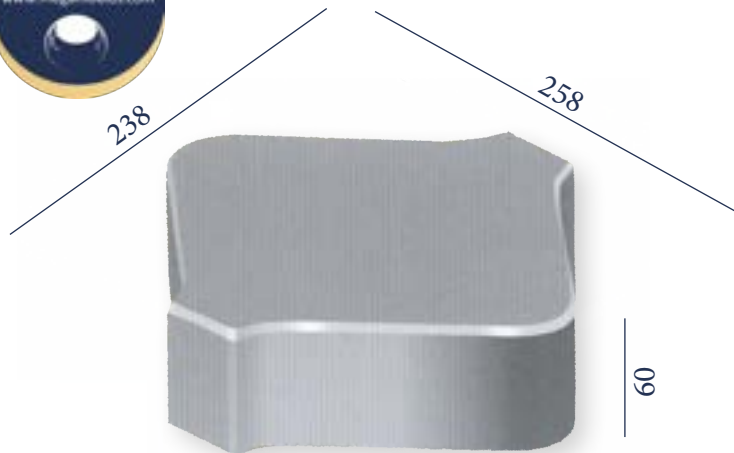


THICKNESSES

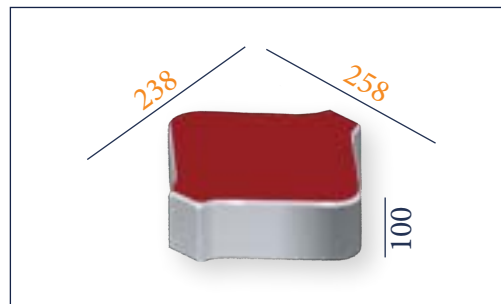
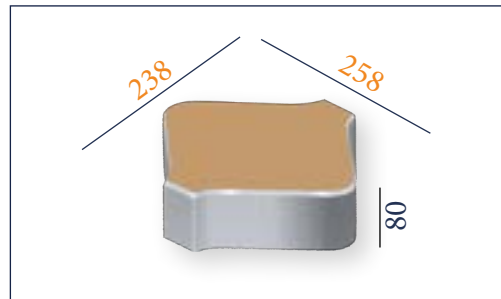


MEASUREMENTS

Standard Length:	227 mm
Standard Width:	137 / 87 mm
Standard Height:	60 mm
Piece Area dm ² :	3.10
Used Pieces Per Square Meter:	39



THICKNESSES



MEASUREMENTS

Standard Length:	238 mm
Standard Width:	258 mm
Standard Height:	60 mm
Piece Area dm ² :	6.14
Used Pieces Per Square Meter:	27

PRK - 04 / INTERLOCKING BLOCK

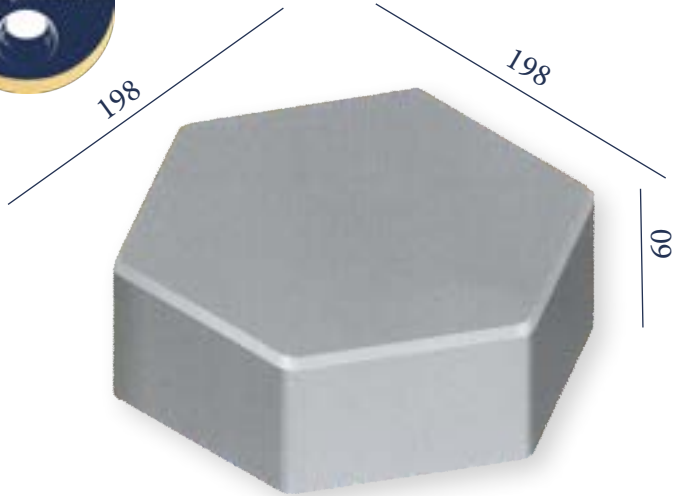
STANDARD: 238 x 258 x 60 mm



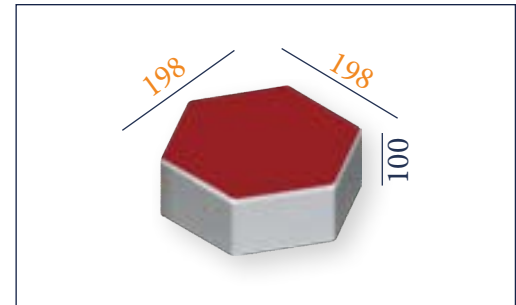
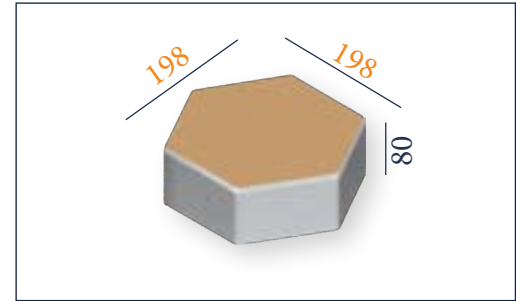
www.megamoulds.com

+90 545 347 17 61
 +90 542 359 67 62
 +90 542 359 67 50
 +90 542 359 67 37
 +90 542 359 67 65
 +90 542 359 67 92

004



THICKNESSES



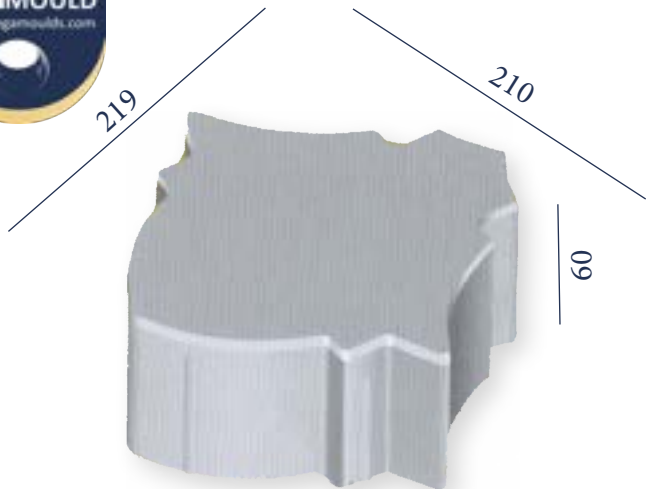
MEASUREMENTS

Standard Length:	198 mm
Standard Width:	198 mm
Standard Height:	60 mm
Piece Area dm ² :	3.92
Used Pieces Per Square Meter:	30

PRK - 05 / INTERLOCKING BLOCK

STANDARD: 198 x 198 x 60 mm



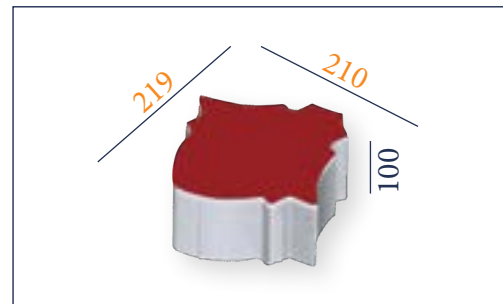
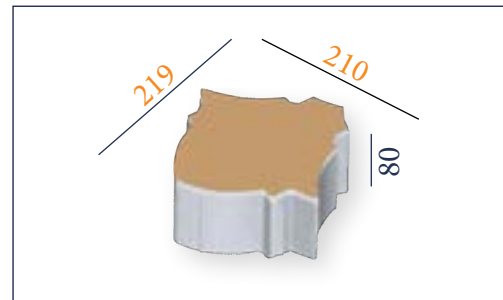


PRK - 06 / INTERLOCKING BLOCK
STANDARD: 219 x 210 x 60 mm



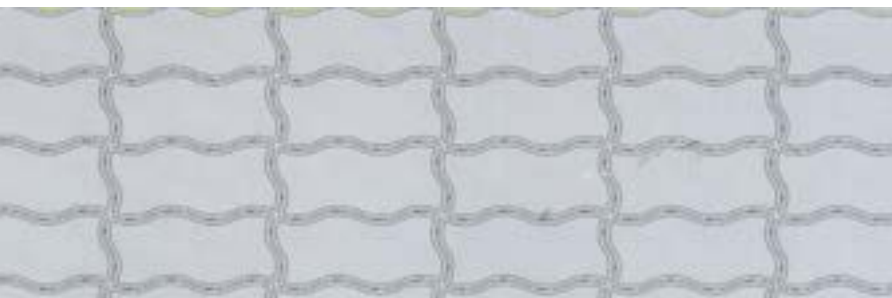
www.megamoulds.com

THICKNESSES



MEASUREMENTS

Standard Length:	219 mm
Standard Width:	210 mm
Standard Height:	60 mm
Piece Area dm ² :	4.59
Used Pieces Per Square Meter:	42

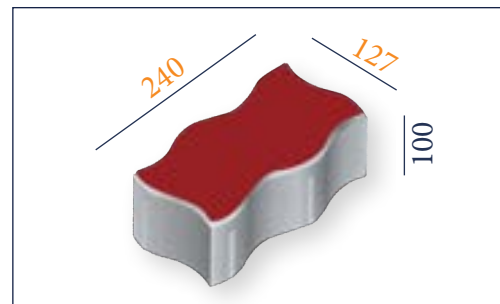
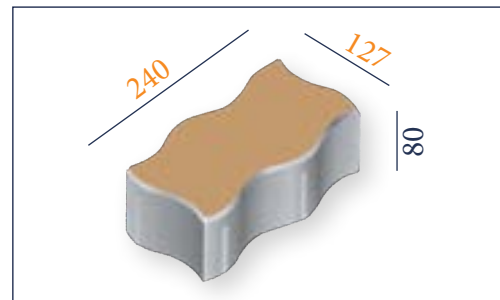


PRK - 07 / INTERLOCKING BLOCK

STANDARD: 240 x 127 x 60 mm

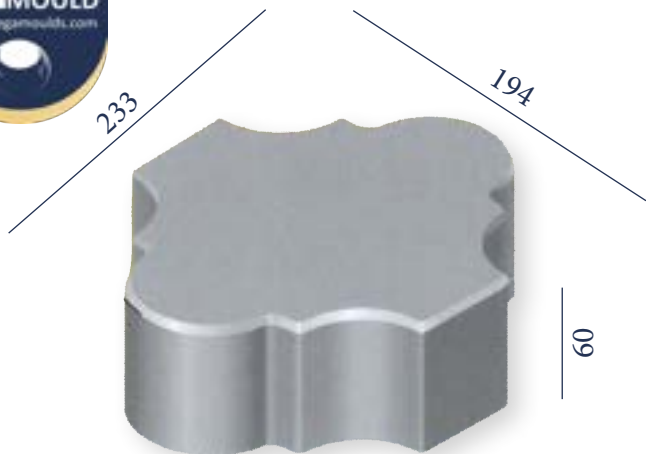


THICKNESSES



MEASUREMENTS

Standard Length:	240 mm
Standard Width:	127 mm
Standard Height:	60 mm
Piece Area dm ² :	3.04
Used Pieces Per Square Meter:	40

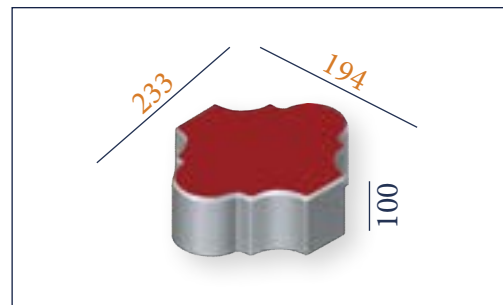
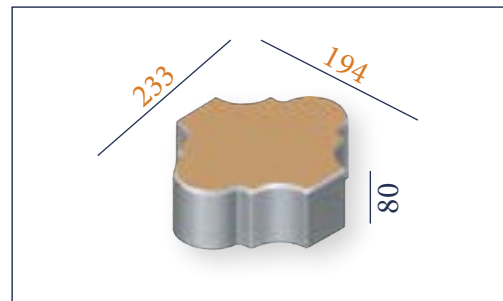


PRK - 08 / INTERLOCKING BLOCK
 STANDARD: 233 x 194 x 60 mm



www.megamoulds.com

THICKNESSES

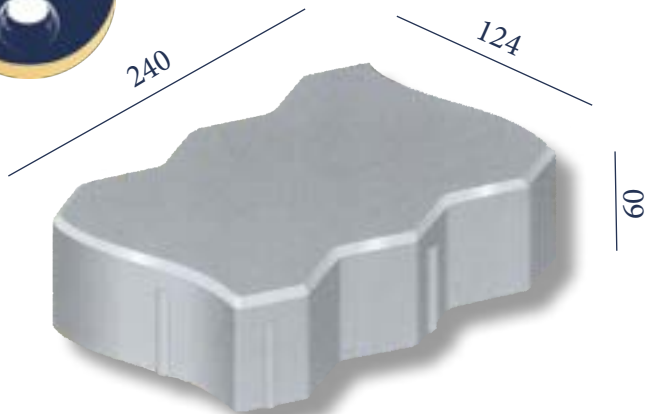


MEASUREMENTS

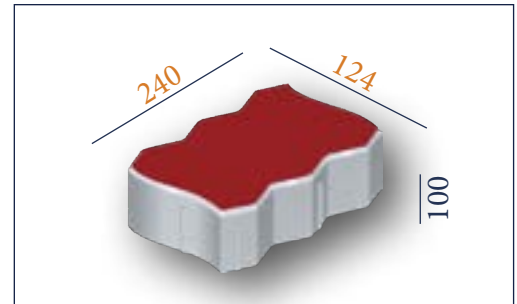
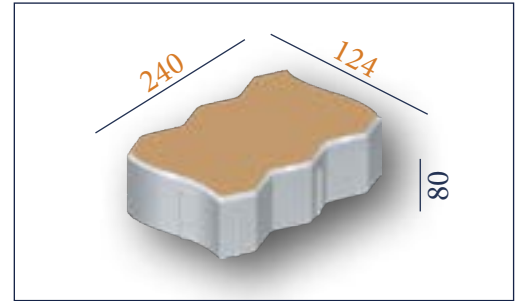
Standard Length:	233 mm
Standard Width:	194 mm
Standard Height:	60 mm
Piece Area dm ² :	4.52
Used Pieces Per Square Meter:	42

+90 545 347 17 61
 +90 542 359 67 62
 +90 542 359 67 50
 +90 542 359 67 37
 +90 542 359 67 65
 +90 542 359 67 92

008



THICKNESSES

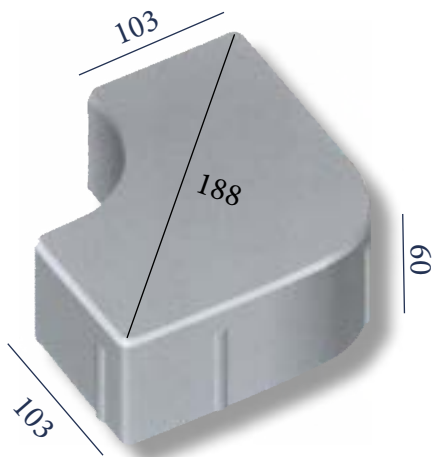


MEASUREMENTS

Standard Length:	240 mm
Standard Width:	124 mm
Standard Height:	60 mm
Piece Area dm ² :	2.97
Used Pieces Per Square Meter:	40

PRK - 09 / INTERLOCKING BLOCK
STANDARD: 240 x 124 x 60 mm





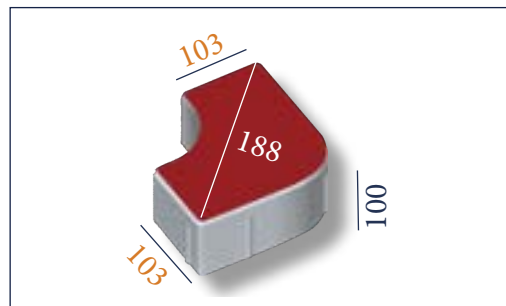
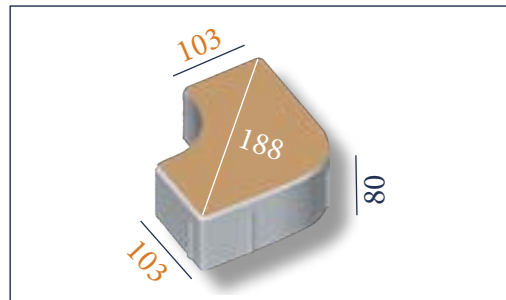
PRK - 10 / INTERLOCKING BLOCK

STANDARD: 188 x 103 x 60 mm



www.megamoulds.com

THICKNESSES



MEASUREMENTS

Standard Length:	188 mm
Standard Width:	103 mm
Standard Height:	60 mm
Piece Area dm ² :	1.93
Used Pieces Per Square Meter:	35

+90 545 347 17 61
 +90 542 359 67 62
 +90 542 359 67 50
 +90 542 359 67 37
 +90 542 359 67 65
 +90 542 359 67 92

010



PRK - 11 / INTERLOCKING BLOCK

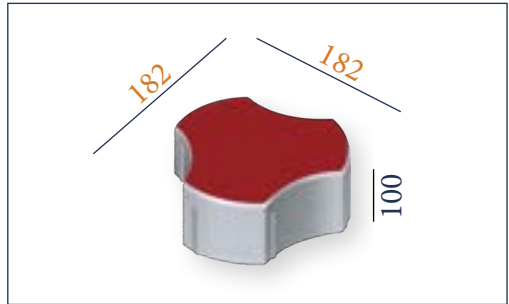
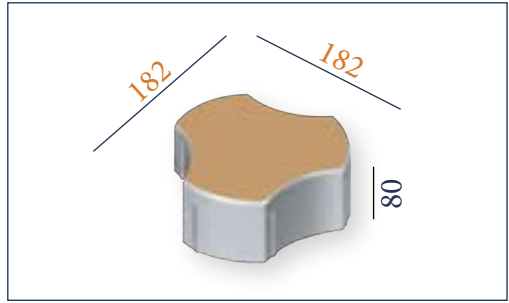
STANDARD: 182 x 182 x 60 mm



www.megamoulds.com

011

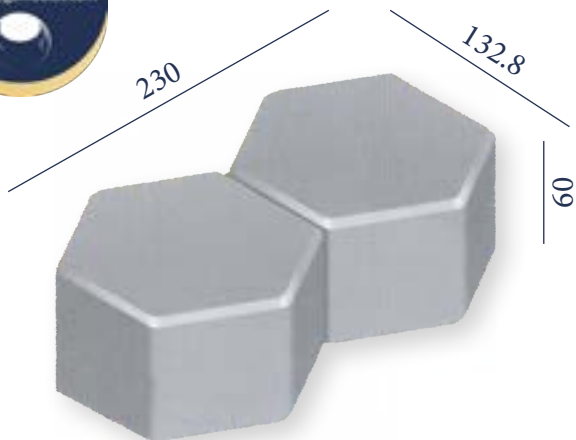
THICKNESSES



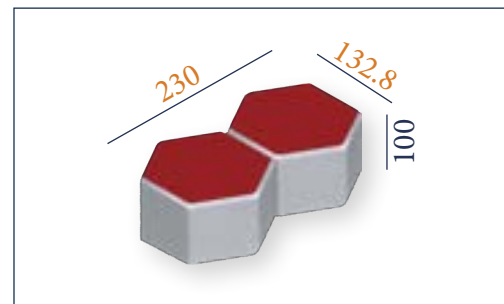
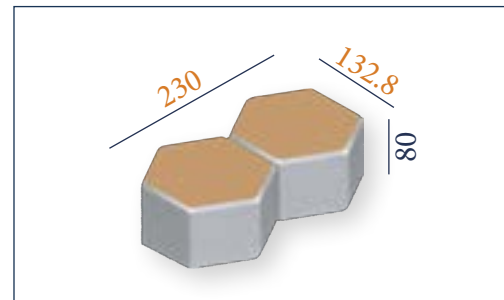
MEASUREMENTS

Standard Length:	182 mm
Standard Width:	182 mm
Standard Height:	60 mm
Piece Area dm ² :	3.31
Used Pieces Per Square Meter:	35

- +90 545 347 17 61
- +90 542 359 67 62
- +90 542 359 67 50
- +90 542 359 67 37
- +90 542 359 67 65
- +90 542 359 67 92



THICKNESSES



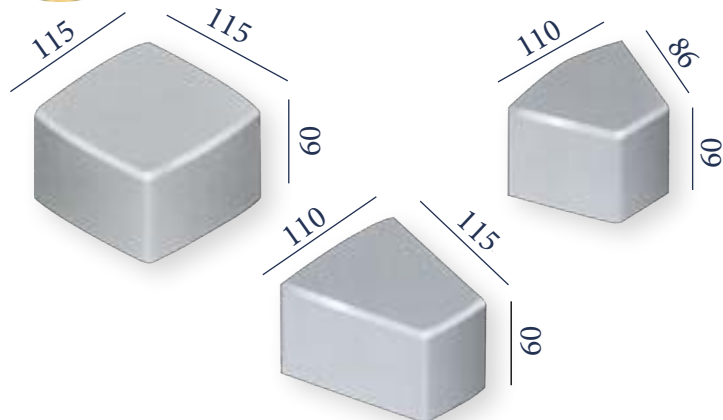
MEASUREMENTS

Standard Length:	230 mm
Standard Width:	132.8 mm
Standard Height:	60 mm
Piece Area dm ² :	3.03
Used Pieces Per Square Meter:	44

PRK - 12 / INTERLOCKING BLOCK

STANDARD: 230 x 132.8 x 60 mm



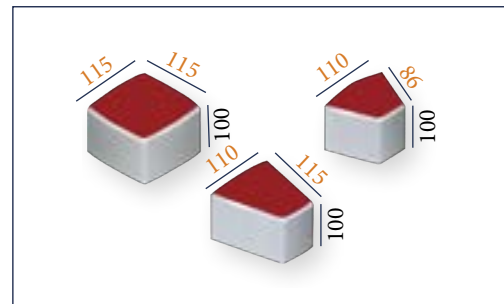
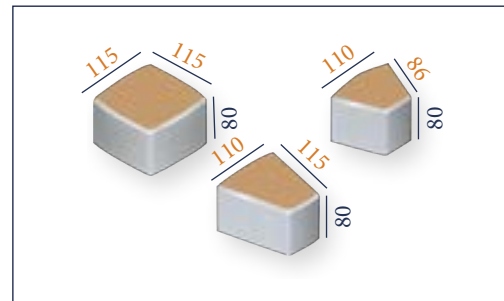


PRK - 13 / INTERLOCKING BLOCK

STANDARD: 115 x 115 / 110 x 115 / 110 x 86 / x 60 mm

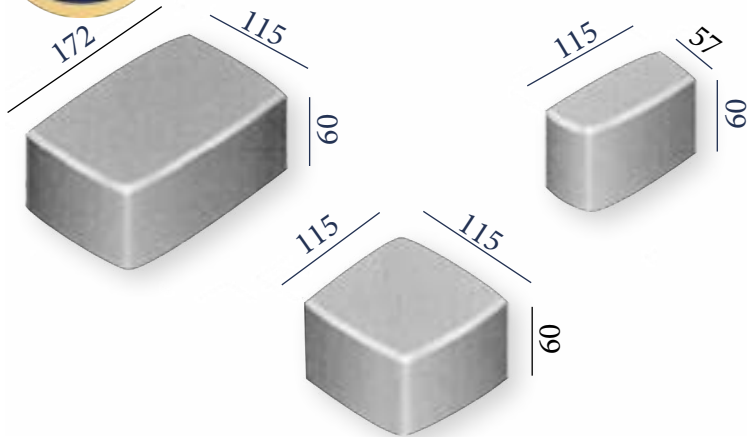


THICKNESSES



MEASUREMENTS

Standard Length:	115 / 110 / 110 mm
Standard Width:	115 / 115 / 86 mm
Standard Height:	60 mm
Piece Area dm ² :	1.32 / 1.26 / 0.94
Used Pieces Per Square Meter:	78 / 105 / 148



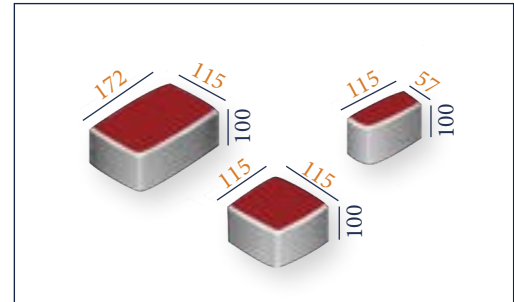
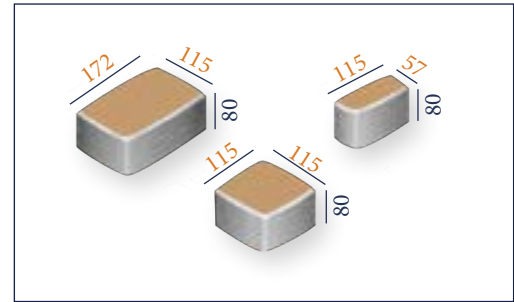
PRK - 14 / INTERLOCKING BLOCK

STANDARD: 172 x 115 / 115 x 115 / 115 x 57 / x 60 mm



www.megamoulds.com

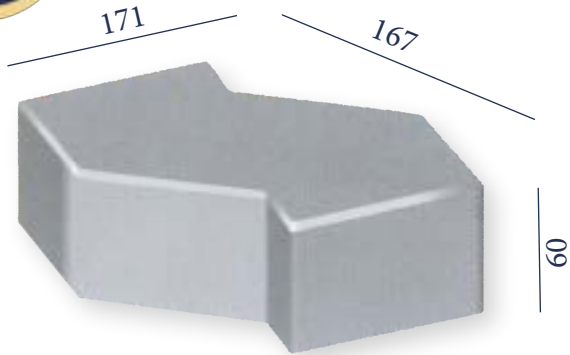
THICKNESSES



MEASUREMENTS

Standard Length:	172 / 115 / 115 mm
Standard Width:	115 / 115 / 57 mm
Standard Height:	60 mm
Piece Area dm ² :	1.97 / 1.32 / 0.65
Used Pieces Per Square Meter:	53 / 80 / 168

+90 545 347 17 61
 +90 542 359 67 62
 +90 542 359 67 50
 +90 542 359 67 37
 +90 542 359 67 65
 +90 542 359 67 92



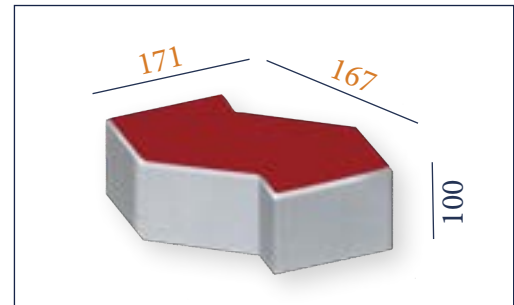
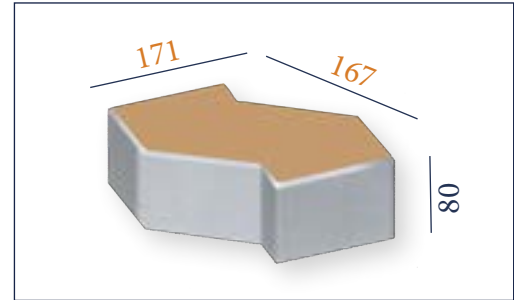
PRK - 15 / INTERLOCKING BLOCK

STANDARD: 171 x 167 x 60 mm



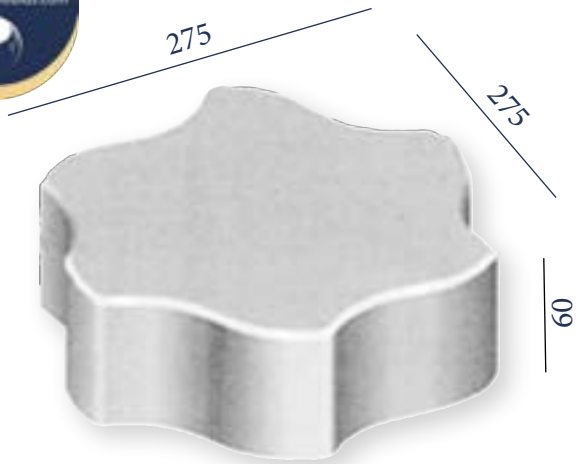
www.megamoulds.com

THICKNESSES



MEASUREMENTS

Standard Length:	171 mm
Standard Width:	167 mm
Standard Height:	60 mm
Piece Area dm ² :	2.85
Used Pieces Per Square Meter:	52



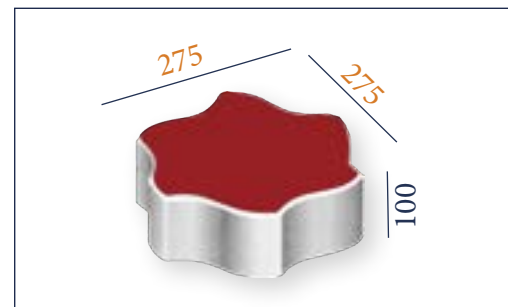
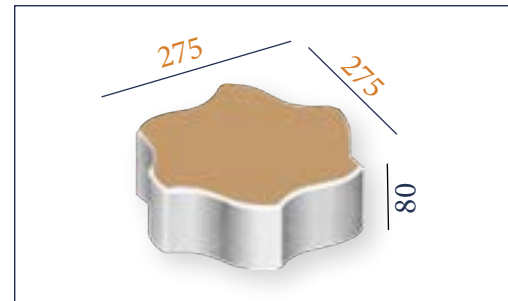
PRK - 16 / INTERLOCKING BLOCK

STANDARD: 275 x 275 x 60 mm



www.megamoulds.com

THICKNESSES



MEASUREMENTS

Standard Length:	275 mm
Standard Width:	275 mm
Standard Height:	60 mm
Piece Area dm ² :	7.56
Used Pieces Per Square Meter:	12



+90 545 347 17 61



+90 542 359 67 62



+90 542 359 67 50



+90 542 359 67 37

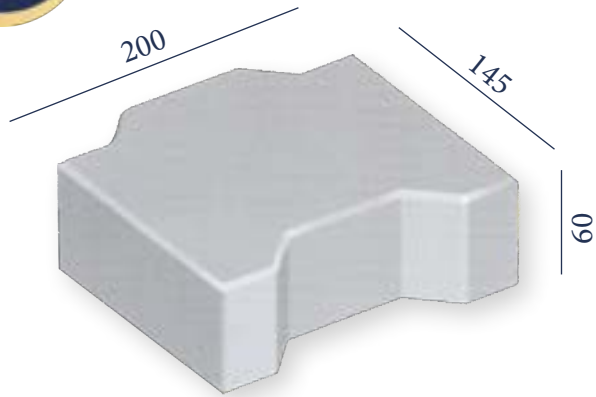


+90 542 359 67 65



+90 542 359 67 92

016

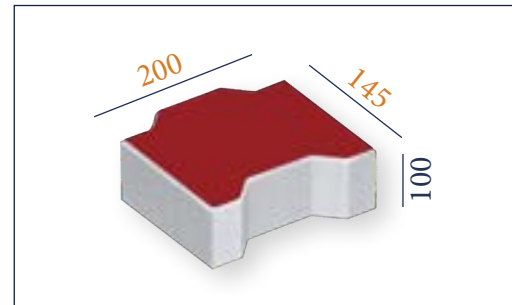
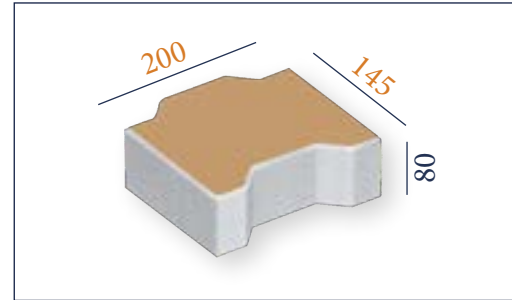


PRK - 17 / INTERLOCKING BLOCK

STANDARD: 200 x 145 x 60 mm

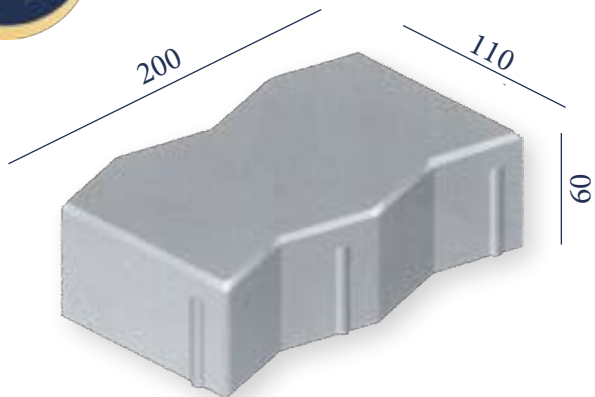


THICKNESSES



MEASUREMENTS

Standard Length:	200 mm
Standard Width:	145 mm
Standard Height:	60 mm
Piece Area dm ² :	2.90
Used Pieces Per Square Meter:	34



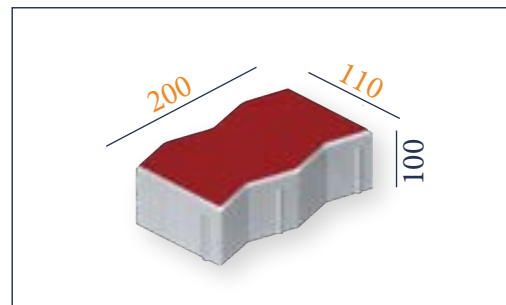
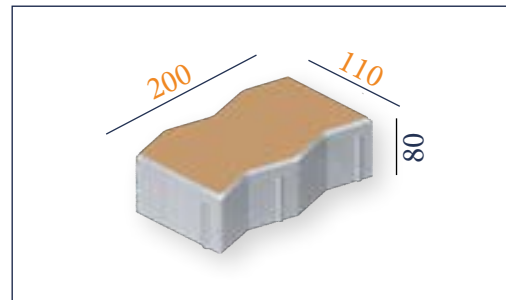
PRK - 18 / INTERLOCKING BLOCK

STANDARD: 200 x 110 x 60 mm



www.megamoulds.com

THICKNESSES

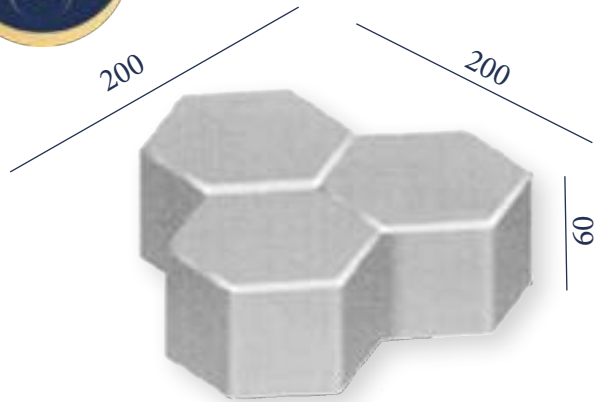


MEASUREMENTS

Standard Length:	200 mm
Standard Width:	110 mm
Standard Height:	60 mm
Piece Area dm ² :	2.20
Used Pieces Per Square Meter:	45

+90 545 347 17 61 +90 542 359 67 62 +90 542 359 67 50
 +90 542 359 67 37 +90 542 359 67 65 +90 542 359 67 92

810

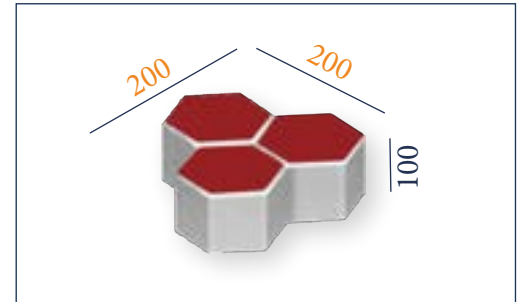
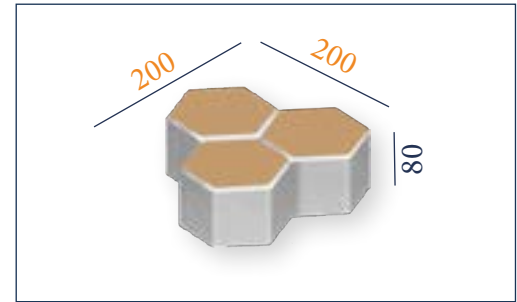


PRK - 19 / INTERLOCKING BLOCK

STANDARD: 200 x 200 x 60 mm

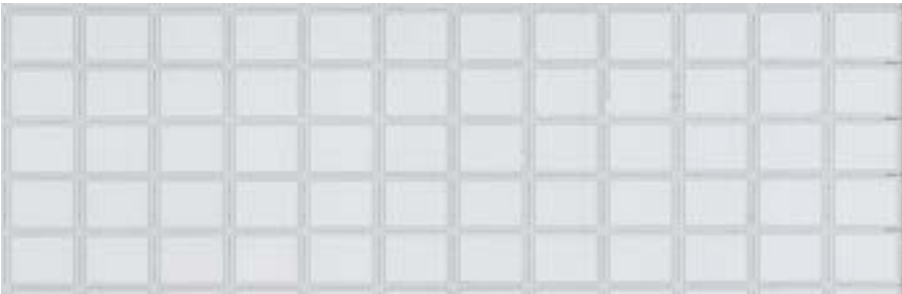
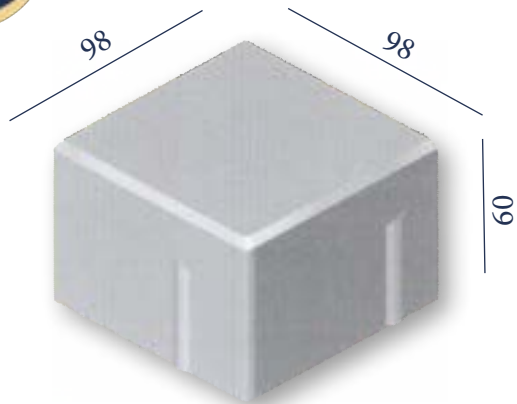


THICKNESSES



MEASUREMENTS

Standard Length:	200 mm
Standard Width:	200 mm
Standard Height:	60 mm
Piece Area dm ² :	4.00
Used Pieces Per Square Meter:	25



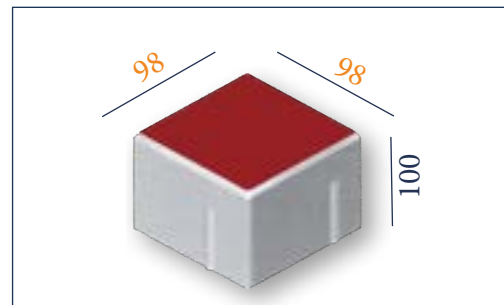
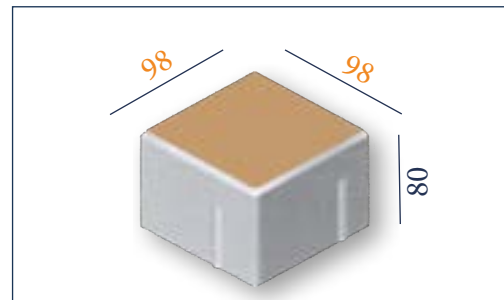
PRK - 20 / INTERLOCKING BLOCK

STANDARD: 98 x 98 x 60 mm



www.megamoulds.com

THICKNESSES

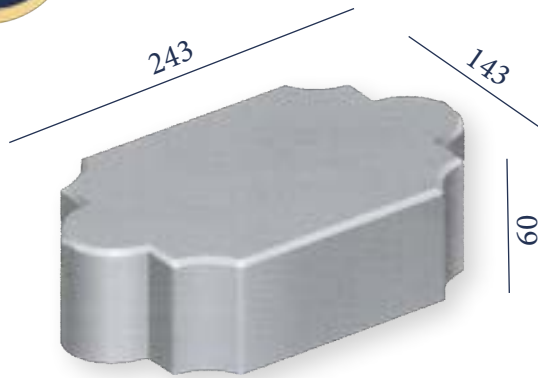


MEASUREMENTS

Standard Length:	98 mm
Standard Width:	98 mm
Standard Height:	60 mm
Piece Area dm ² :	0.96
Used Pieces Per Square Meter:	103

+90 545 347 17 61
 +90 542 359 67 62
 +90 542 359 67 50
 +90 542 359 67 37
 +90 542 359 67 65
 +90 542 359 67 92

020



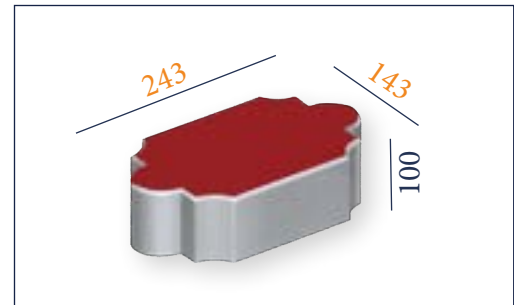
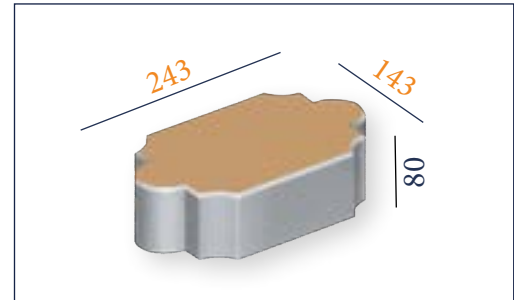
PRK - 21 / INTERLOCKING BLOCK

STANDARD: 243 x 143 x 60 mm



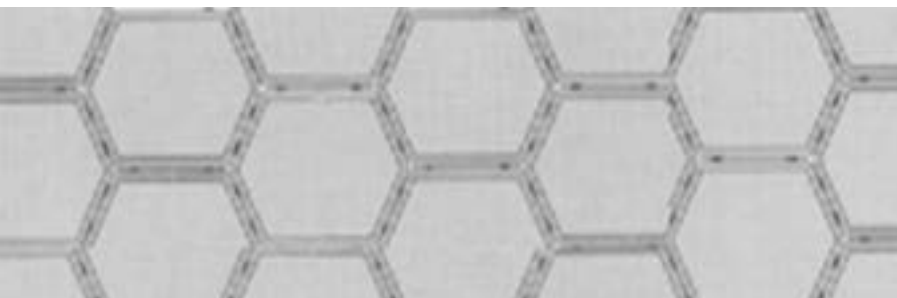
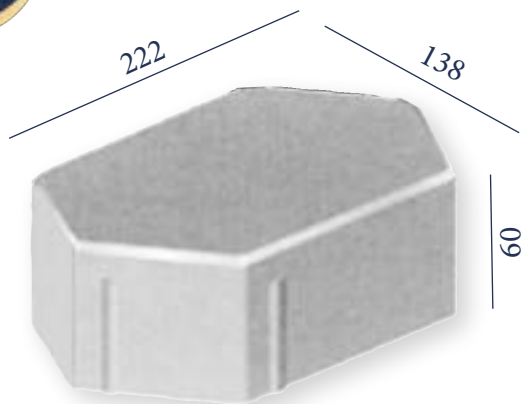
www.megamoulds.com

THICKNESSES



MEASUREMENTS

Standard Length:	243 mm
Standard Width:	143 mm
Standard Height:	60 mm
Piece Area dm ² :	3.47
Used Pieces Per Square Meter:	36



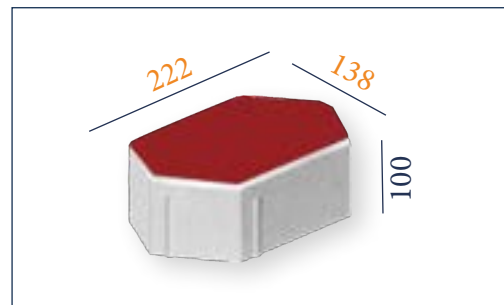
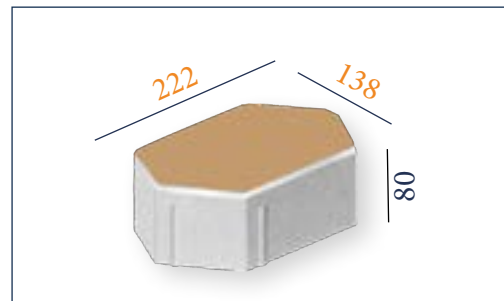
PRK - 22 / INTERLOCKING BLOCK

STANDARD: 222 x 138 x 60 mm



www.megamoulds.com

THICKNESSES

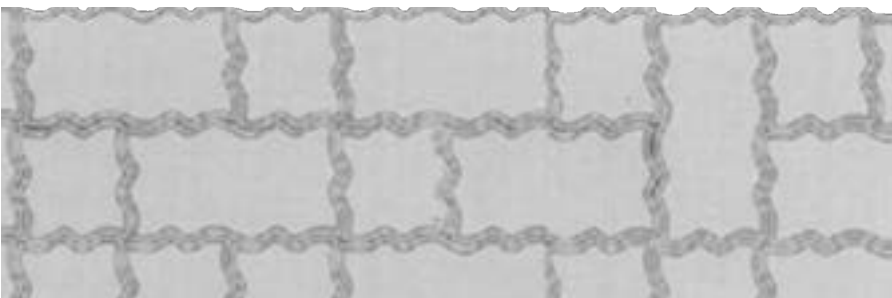
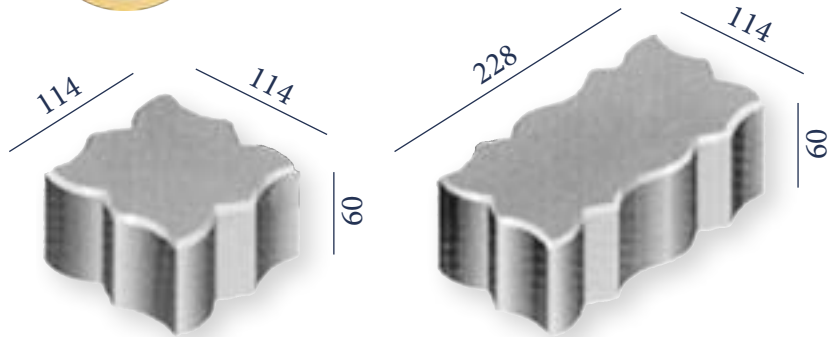


MEASUREMENTS

Standard Length:	222 mm
Standard Width:	138 mm
Standard Height:	60 mm
Piece Area dm ² :	3.06
Used Pieces Per Square Meter:	42

+90 545 347 17 61
 +90 542 359 67 62
 +90 542 359 67 50
 +90 542 359 67 37
 +90 542 359 67 65
 +90 542 359 67 92

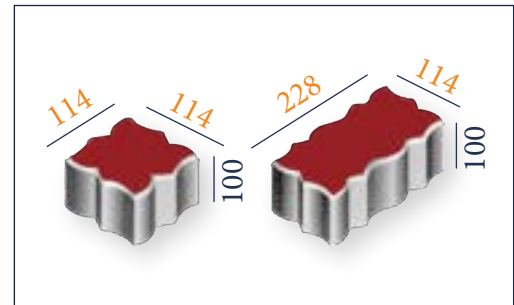
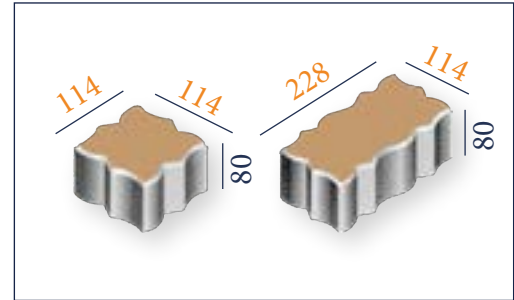
022



PRK - 23 / INTERLOCKING BLOCK
 STANDARD: 114 x 228 / 114 x 114 x 60 mm

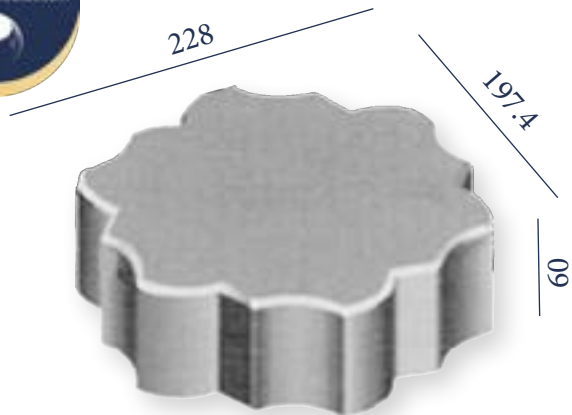


THICKNESSES



MEASUREMENTS

Standard Length:	114 / 228 mm
Standard Width:	114 / 114 mm
Standard Height:	60 mm
Piece Area dm ² :	1.29 / 2.59
Used Pieces Per Square Meter:	80 / 39



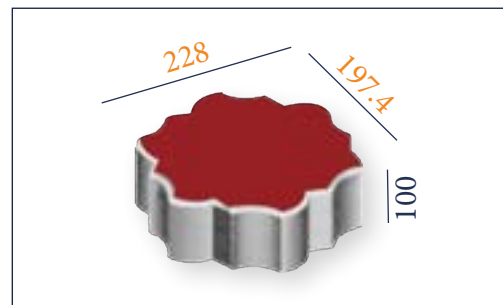
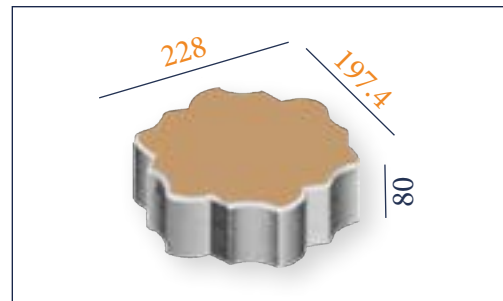
PRK - 24 / INTERLOCKING BLOCK

STANDARD: 228 x 197.4 x 60 mm



www.megamoulds.com

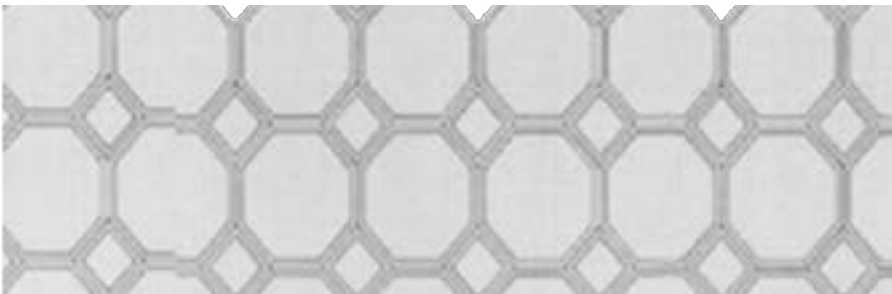
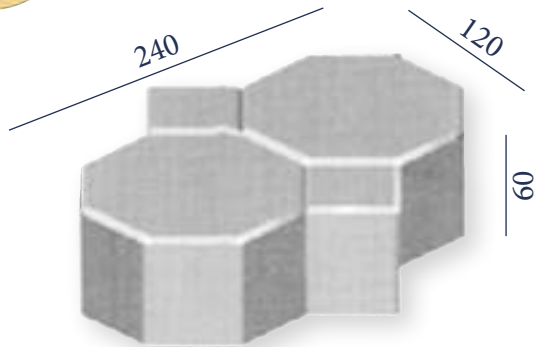
THICKNESSES



MEASUREMENTS

Standard Length:	228 mm
Standard Width:	197.4 mm
Standard Height:	60 mm
Piece Area dm ² :	4.49
Used Pieces Per Square Meter:	30

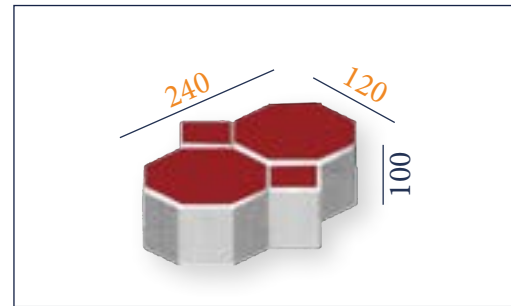
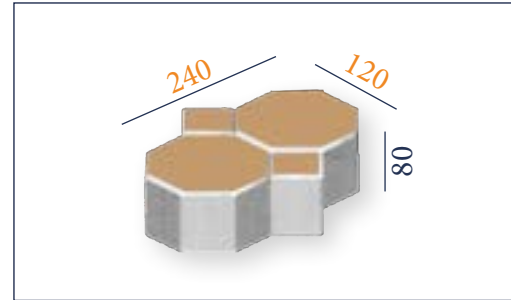
+90 545 347 17 61
 +90 542 359 67 62
 +90 542 359 67 50
 +90 542 359 67 37
 +90 542 359 67 65
 +90 542 359 67 92



PRK - 25 / INTERLOCKING BLOCK
STANDARD: 240 x 120 x 60 mm

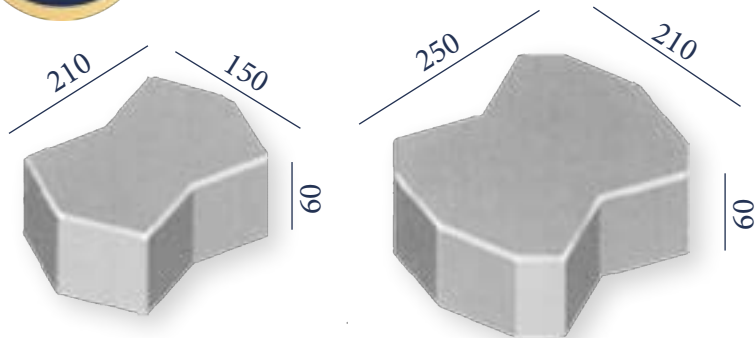


THICKNESSES

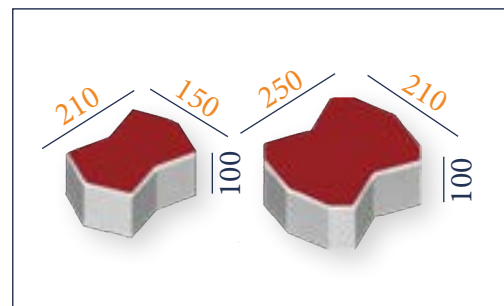
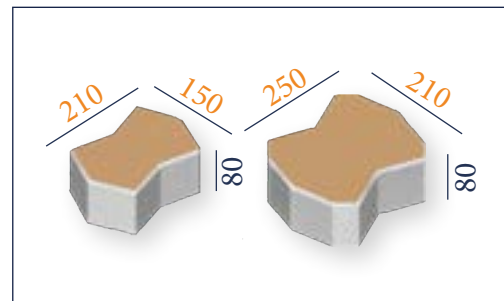


MEASUREMENTS

Standard Length:	240 mm
Standard Width:	120 mm
Standard Height:	60 mm
Piece Area dm ² :	2.88
Used Pieces Per Square Meter:	34



THICKNESSES



MEASUREMENTS

Standard Length:	210 / 250 mm
Standard Width:	150 / 210 mm
Standard Height:	60 mm
Piece Area dm ² :	3.15 / 5.25
Used Pieces Per Square Meter:	42 / 24

PRK - 26 / INTERLOCKING BLOCK

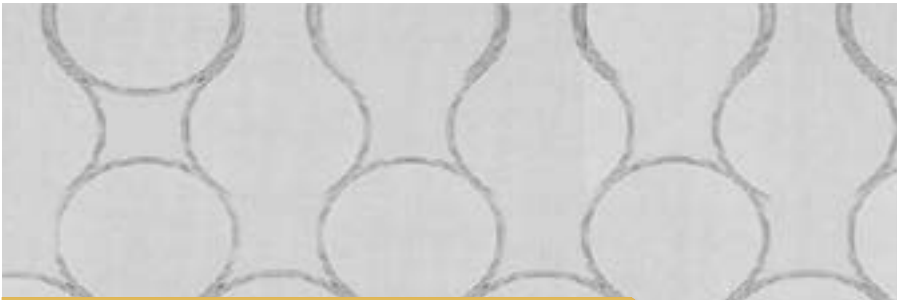
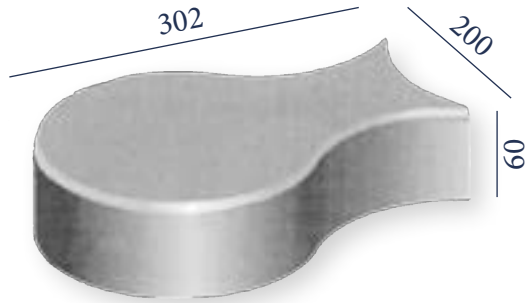
STANDARD: 210 x 250 / 150 x 210 x 60 mm



www.megamoulds.com

+90 545 347 17 61
 +90 542 359 67 62
 +90 542 359 67 50
 +90 542 359 67 37
 +90 542 359 67 65
 +90 542 359 67 92

026

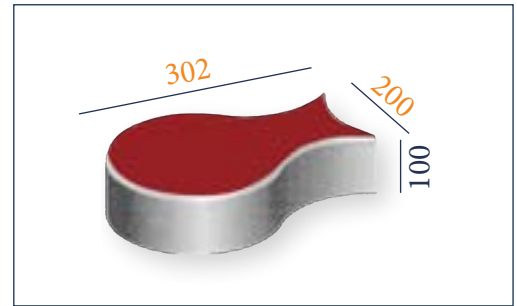
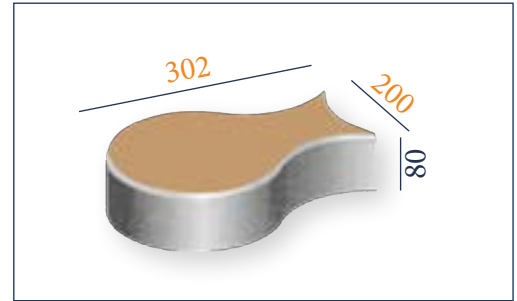


PRK - 27 / INTERLOCKING BLOCK
STANDARD: 302 x 200 x 60 mm



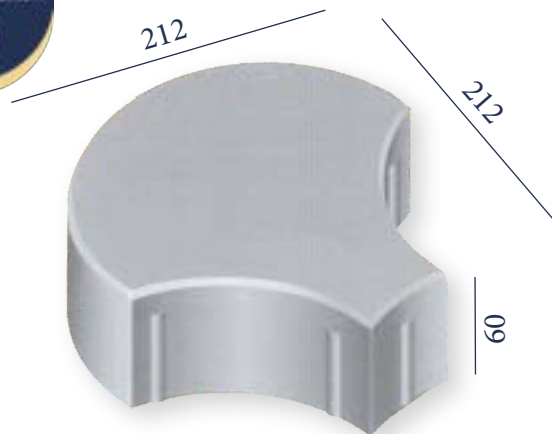
www.megamoulds.com

THICKNESSES



MEASUREMENTS

Standard Length:	302 mm
Standard Width:	200 mm
Standard Height:	60 mm
Piece Area dm ² :	6.04
Used Pieces Per Square Meter:	24

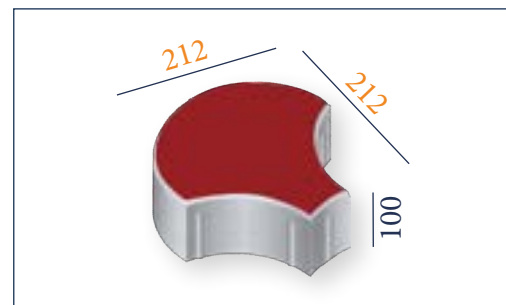
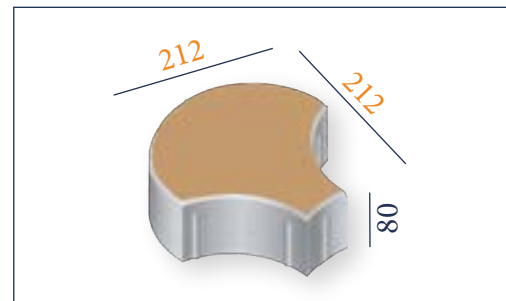


PRK - 28 / INTERLOCKING BLOCK
 STANDARD: 212 x 212 x 60 mm



www.megamoulds.com

THICKNESSES

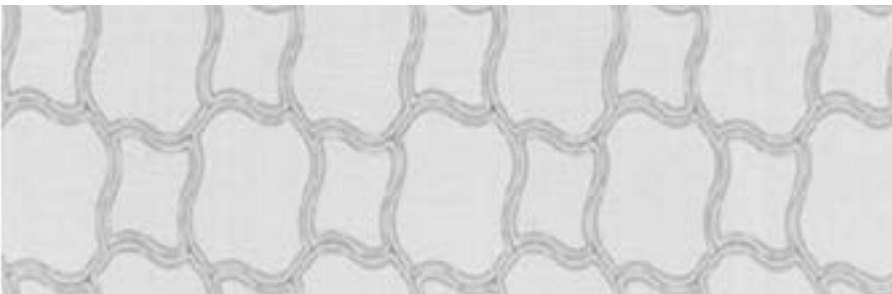
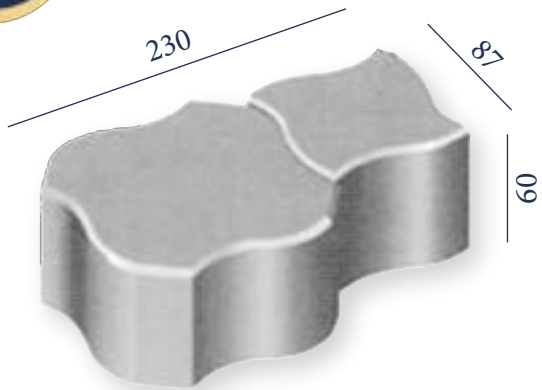


MEASUREMENTS

Standard Length:	212 mm
Standard Width:	212 mm
Standard Height:	60 mm
Piece Area dm ² :	4.49
Used Pieces Per Square Meter:	42

+90 545 347 17 61
 +90 542 359 67 62
 +90 542 359 67 50
 +90 542 359 67 37
 +90 542 359 67 65
 +90 542 359 67 92

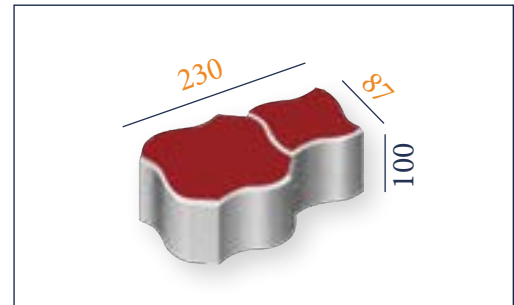
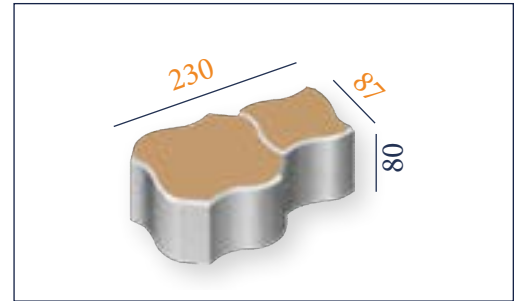
028



PRK - 29 / INTERLOCKING BLOCK
STANDARD: 230 x 87 x 60 mm

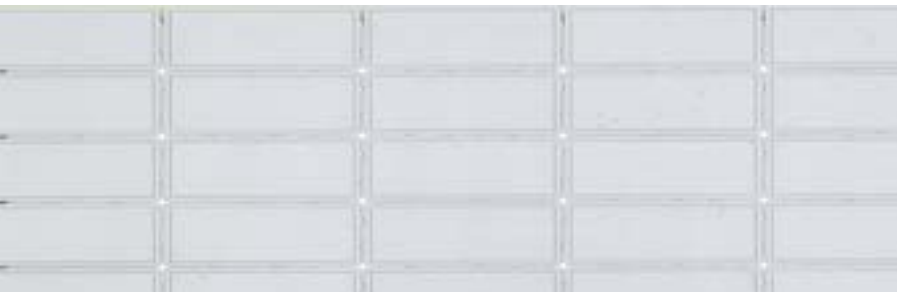
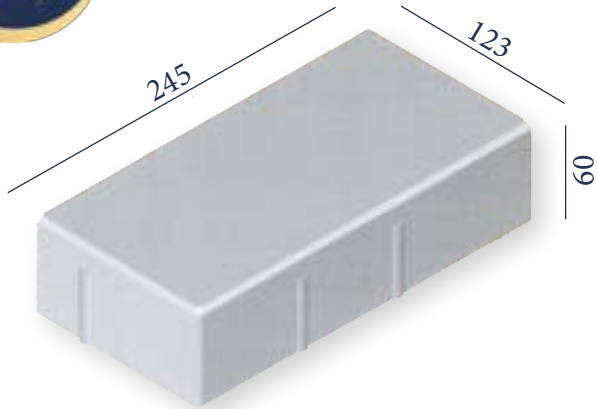


THICKNESSES



MEASUREMENTS

Standard Length:	230 mm
Standard Width:	87 mm
Standard Height:	60 mm
Piece Area dm ² :	2.00
Used Pieces Per Square Meter:	43

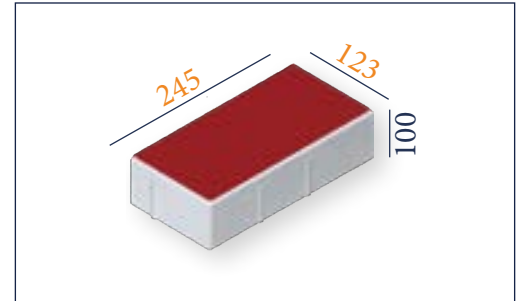
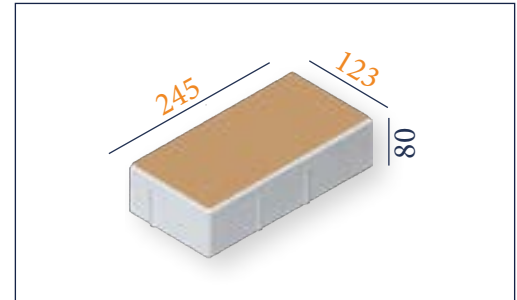


PRK - 30 / INTERLOCKING BLOCK
STANDARD: 245 x 123 x 60 mm



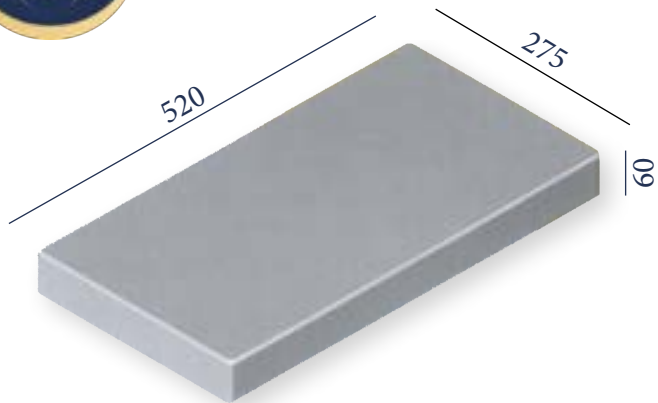
www.megamoulds.com

THICKNESSES

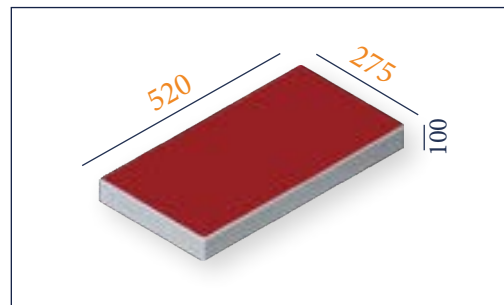
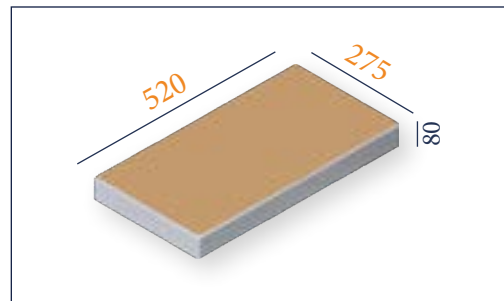


MEASUREMENTS

Standard Length:	245 mm
Standard Width:	123 mm
Standard Height:	60 mm
Piece Area dm ² :	3.01
Used Pieces Per Square Meter:	36



THICKNESSES

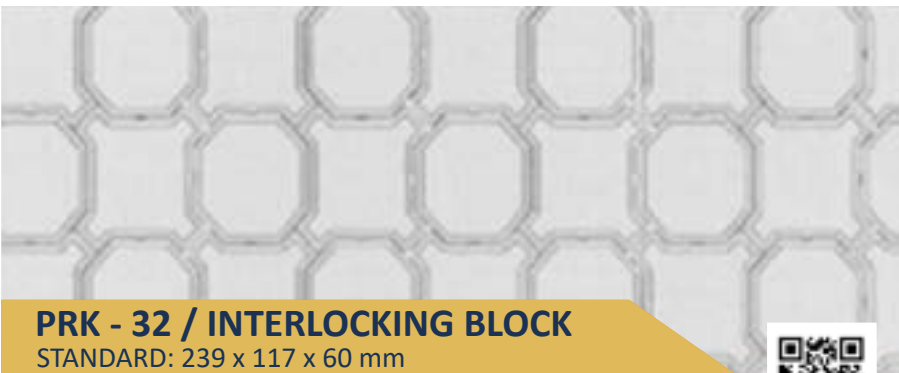
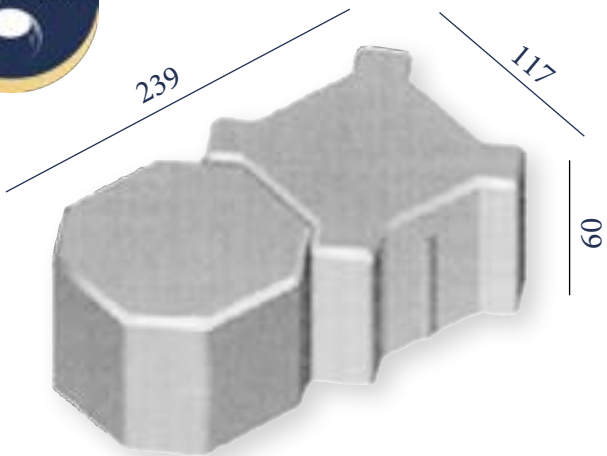


MEASUREMENTS

Standard Length:	520 mm
Standard Width:	275 mm
Standard Height:	60 mm
Piece Area dm ² :	14.3
Used Pieces Per Square Meter:	7

PRK - 31 / INTERLOCKING BLOCK
STANDARD: 520 x 275 x 60 mm

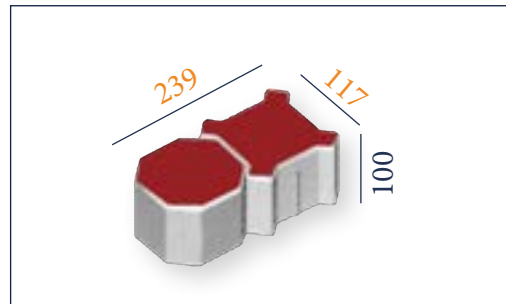
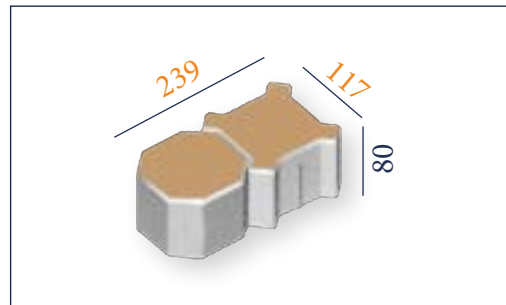




PRK - 32 / INTERLOCKING BLOCK
STANDARD: 239 x 117 x 60 mm

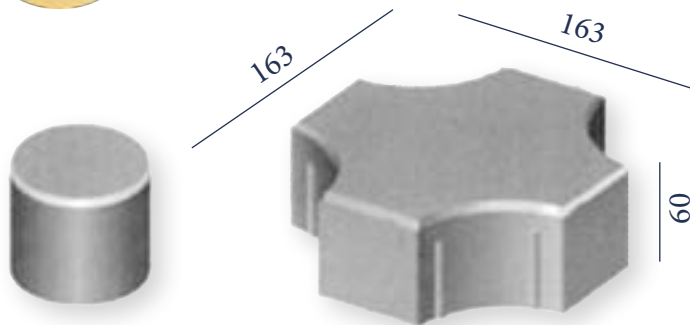


THICKNESSES

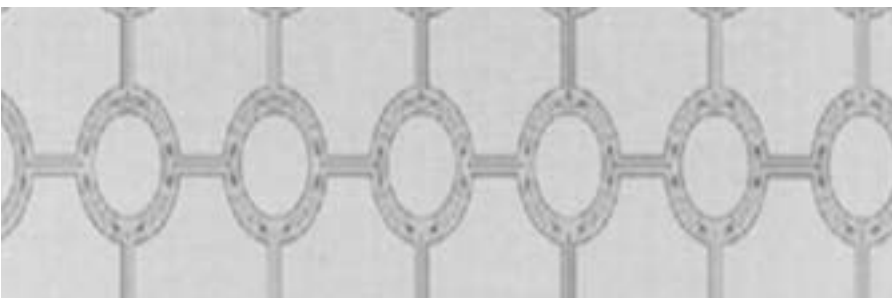
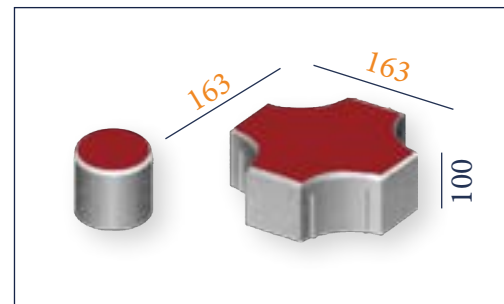
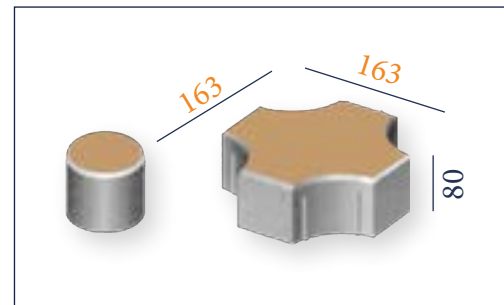


MEASUREMENTS

Standard Length:	239 mm
Standard Width:	117 mm
Standard Height:	60 mm
Piece Area dm ² :	2.80
Used Pieces Per Square Meter:	39



THICKNESSES

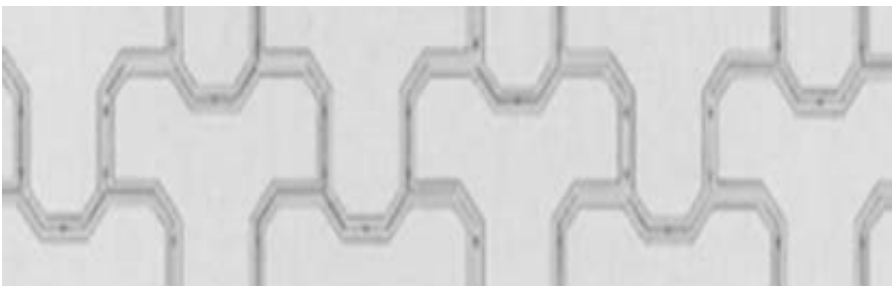
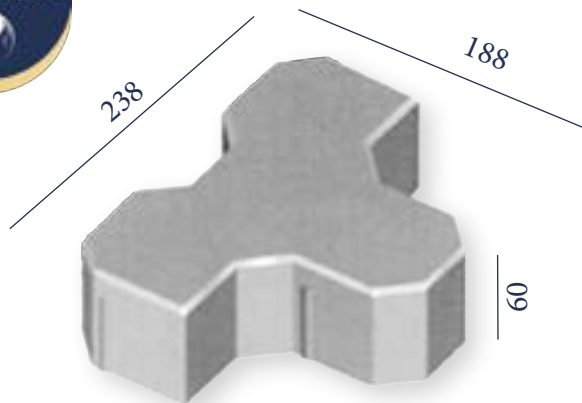


PRK - 33 / INTERLOCKING BLOCK
 STANDARD: 163 x 163 x 60 mm



MEASUREMENTS

Standard Length:	163 mm
Standard Width:	163 mm
Standard Height:	60 mm
Piece Area dm ² :	2.65
Used Pieces Per Square Meter:	42

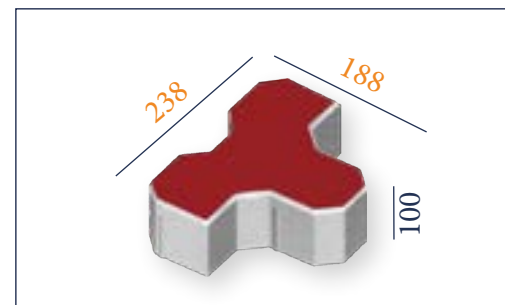
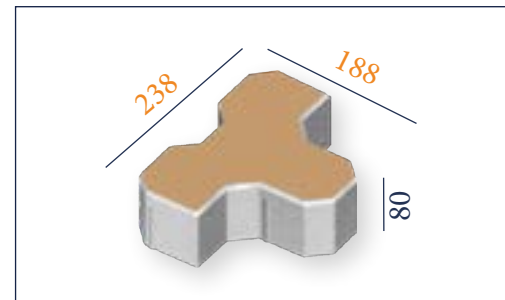


PRK - 34 / INTERLOCKING BLOCK
 STANDARD: 238 x 188 x 60 mm



www.megamoulds.com

THICKNESSES

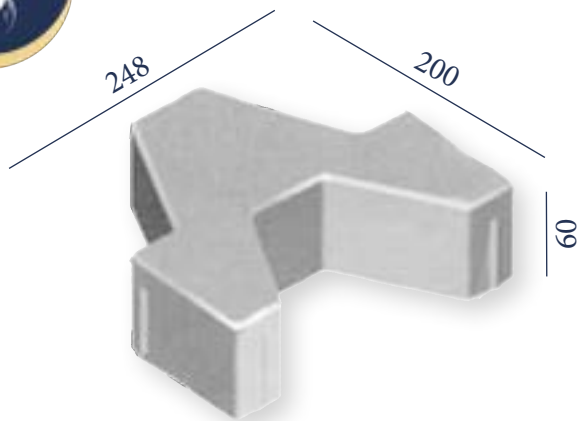


MEASUREMENTS

Standard Length:	238 mm
Standard Width:	188 mm
Standard Height:	60 mm
Piece Area dm ² :	4.47
Used Pieces Per Square Meter:	35

+90 545 347 17 61
 +90 542 359 67 62
 +90 542 359 67 50
 +90 542 359 67 37
 +90 542 359 67 65
 +90 542 359 67 92

034

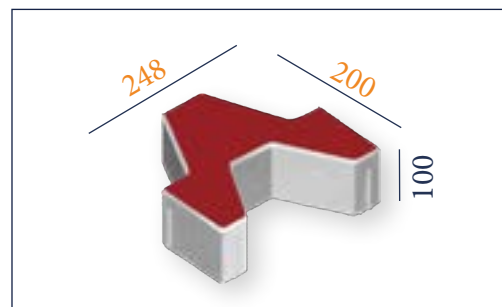
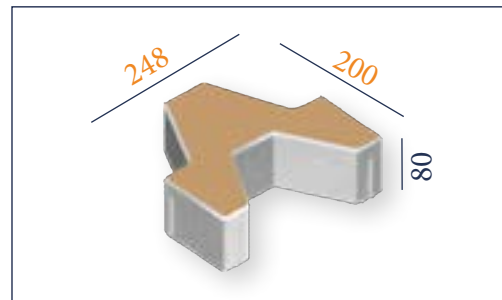


PRK - 35 / INTERLOCKING BLOCK

STANDARD: 248 x 200 x 60 mm

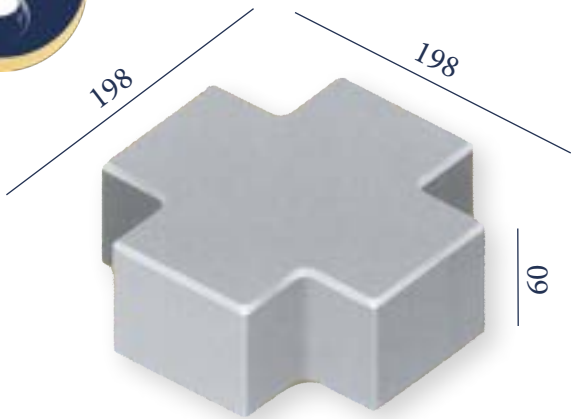


THICKNESSES



MEASUREMENTS

Standard Length:	248 mm
Standard Width:	200 mm
Standard Height:	60 mm
Piece Area dm ² :	4.96
Used Pieces Per Square Meter:	34



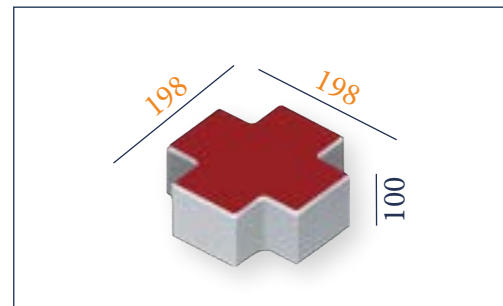
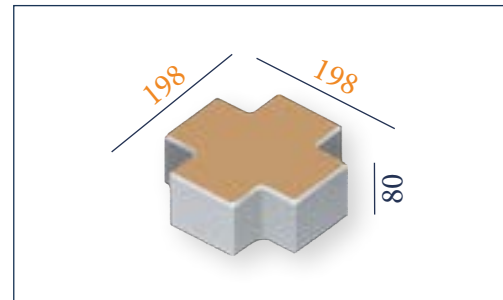
PRK - 36 / INTERLOCKING BLOCK

STANDARD: 198 x 198 x 60 mm

www.megamoulds.com

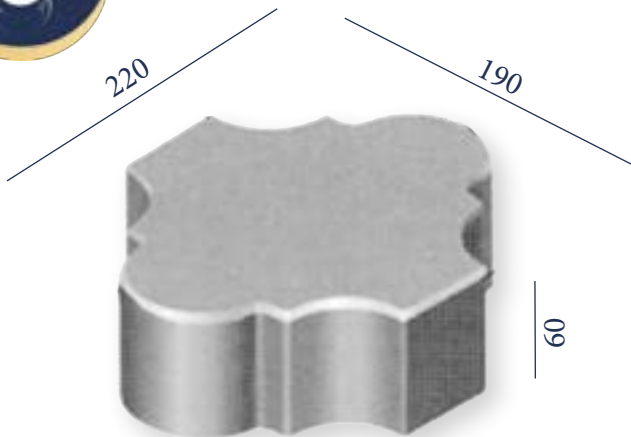


THICKNESSES

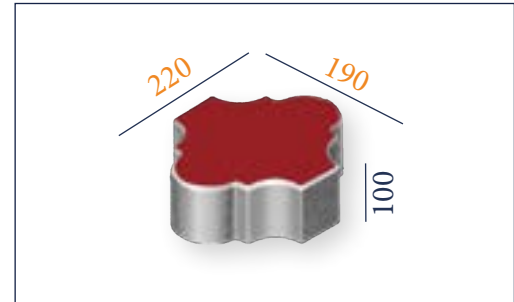
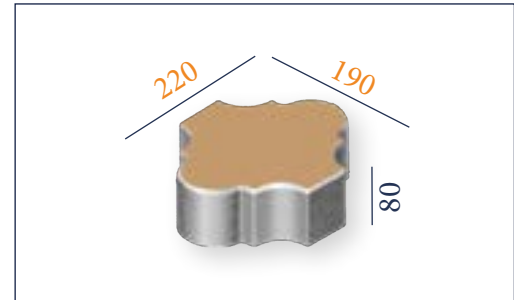


MEASUREMENTS

Standard Length:	198 mm
Standard Width:	198 mm
Standard Height:	60 mm
Piece Area dm ² :	3.92
Used Pieces Per Square Meter:	30



THICKNESSES

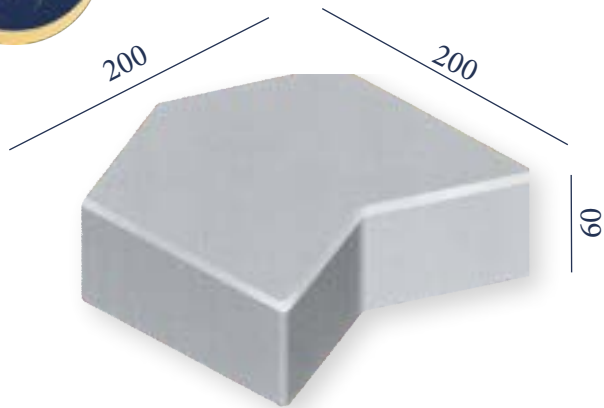


MEASUREMENTS

Standard Length:	220 mm
Standard Width:	190 mm
Standard Height:	60 mm
Piece Area dm ² :	4,18
Used Pieces Per Square Meter:	38

PRK - 37 / INTERLOCKING BLOCK
STANDARD: 220 x 190 x 60 mm





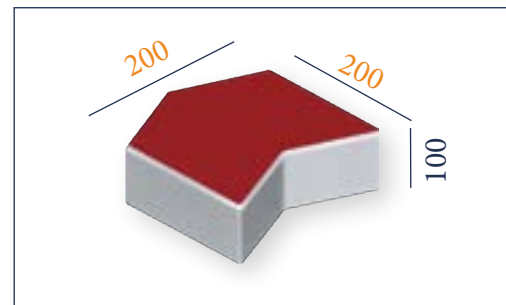
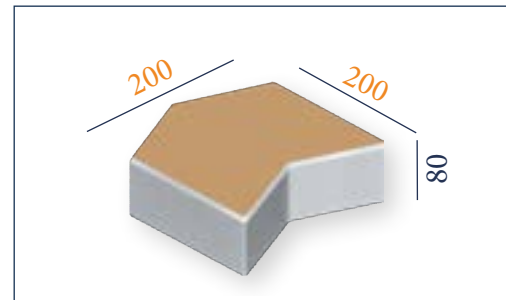
PRK - 38 / INTERLOCKING BLOCK

STANDARD: 200 x 200 x 60 mm



www.megamoulds.com

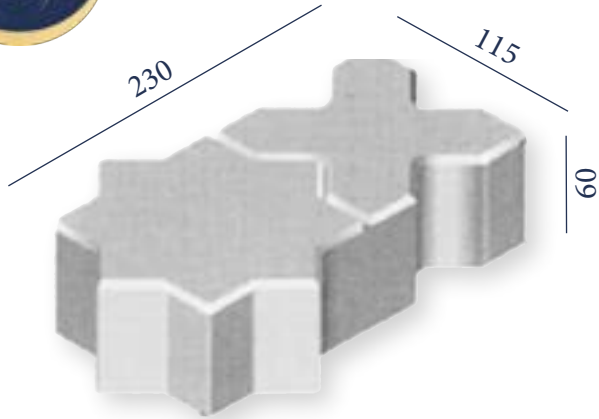
THICKNESSES



MEASUREMENTS

Standard Length:	200 mm
Standard Width:	200 mm
Standard Height:	60 mm
Piece Area dm ² :	4.00
Used Pieces Per Square Meter:	30

+90 545 347 17 61
 +90 542 359 67 62
 +90 542 359 67 50
 +90 542 359 67 37
 +90 542 359 67 65
 +90 542 359 67 92

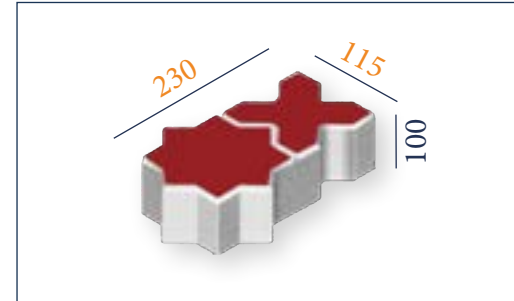
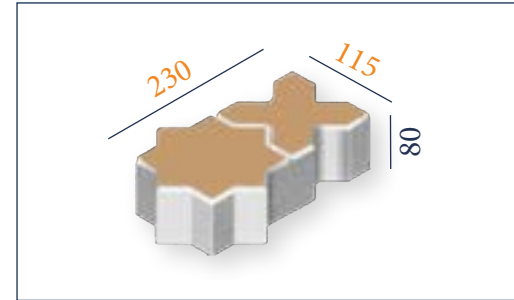


PRK - 39 / INTERLOCKING BLOCK

STANDARD: 230 x 115 x 60 mm

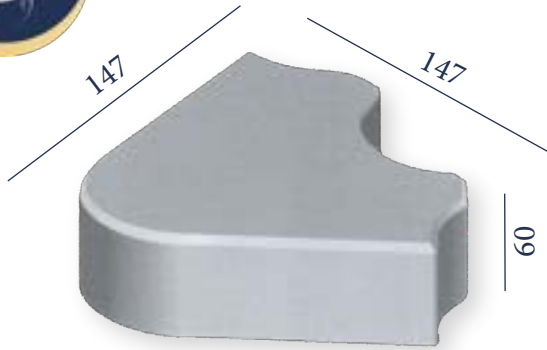


THICKNESSES

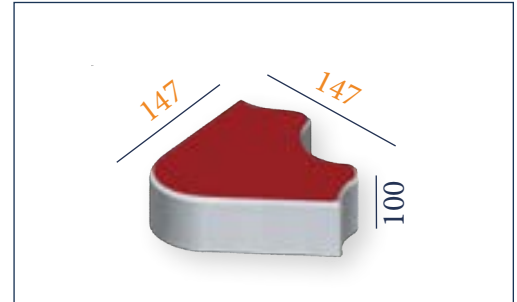
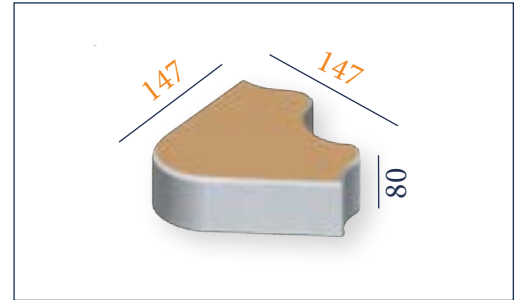


MEASUREMENTS

Standard Length:	230 mm
Standard Width:	115 mm
Standard Height:	60 mm
Piece Area dm ² :	2.64
Used Pieces Per Square Meter:	39



THICKNESSES



MEASUREMENTS

Standard Length:	147 mm
Standard Width:	147 mm
Standard Height:	60 mm
Piece Area dm ² :	2.16
Used Pieces Per Square Meter:	47

PRK - 40 / INTERLOCKING BLOCK

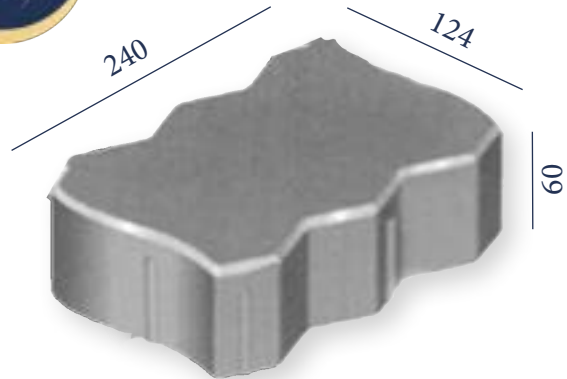
STANDARD: 147 x 147 x 60 mm



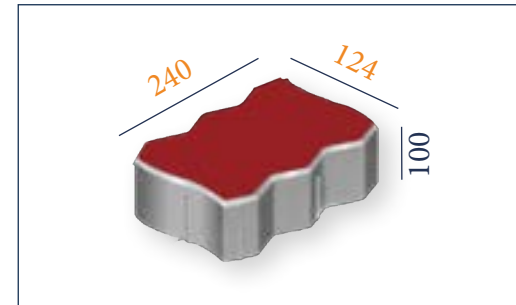
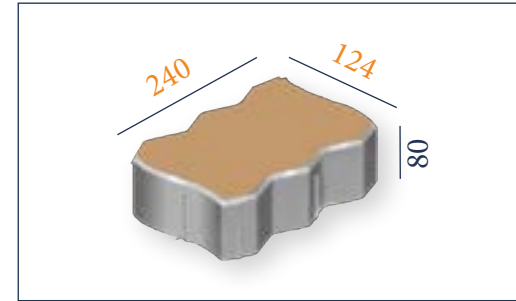
www.megamoulds.com

+90 545 347 17 61
 +90 542 359 67 62
 +90 542 359 67 50
 +90 542 359 67 37
 +90 542 359 67 65
 +90 542 359 67 92

040



THICKNESSES



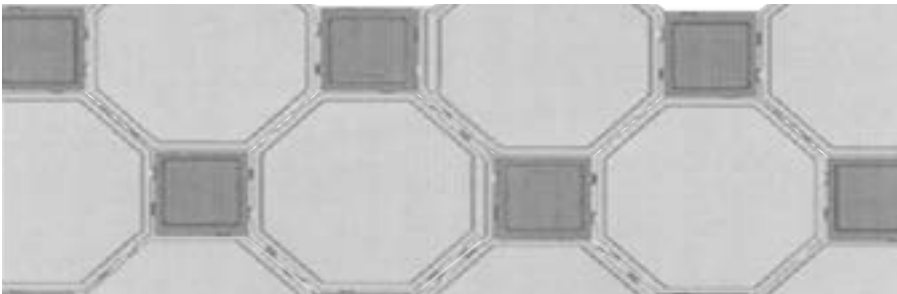
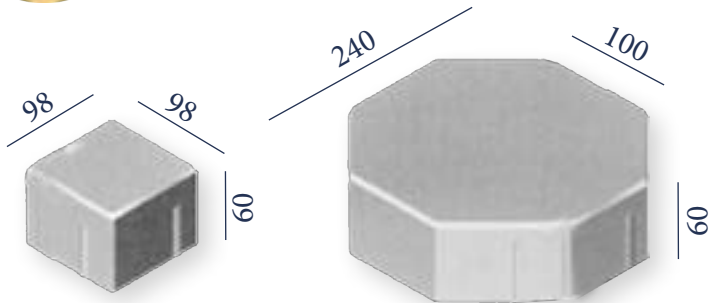
MEASUREMENTS

Standard Length:	240 mm
Standard Width:	124 mm
Standard Height:	60 mm
Piece Area dm ² :	2.97
Used Pieces Per Square Meter:	40

PRK - 41 / INTERLOCKING BLOCK

STANDARD: 240 x 124 x 60 mm



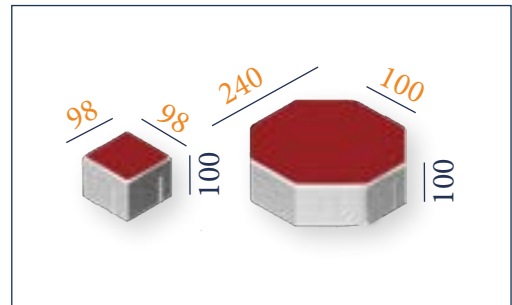
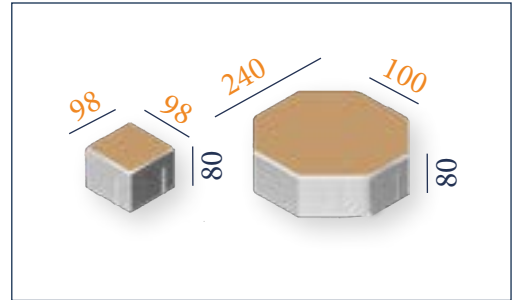


PRK - 42 / INTERLOCKING BLOCK

STANDARD: 98 x 98 / 240 x 100 x 60 mm

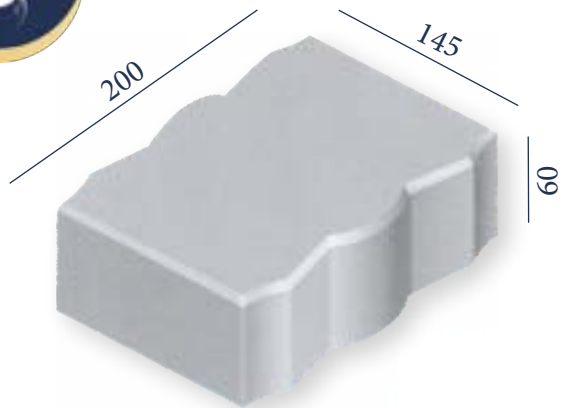


THICKNESSES



MEASUREMENTS

Standard Length:	98 / 240 mm
Standard Width:	98 / 100 mm
Standard Height:	60 mm
Piece Area dm ² :	0.96 / 2.40
Used Pieces Per Square Meter:	103 / 20



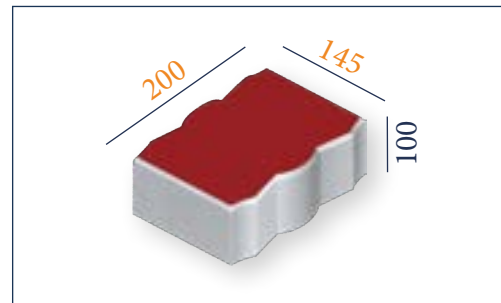
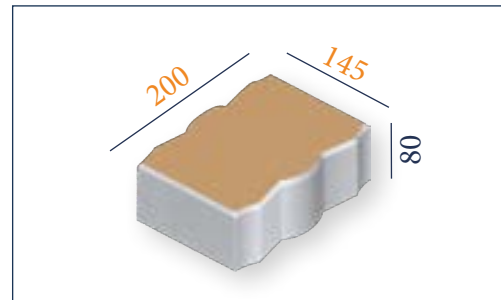
PRK - 43 / INTERLOCKING BLOCK
 STANDARD: 200 x 145 x 60 mm



www.megamoulds.com

043

THICKNESSES



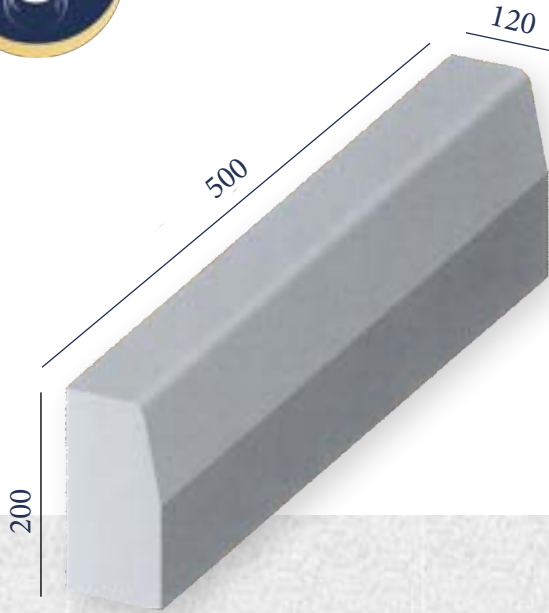
MEASUREMENTS

Standard Length:	200 mm
Standard Width:	145 mm
Standard Height:	60 mm
Piece Area dm ² :	2.90
Used Pieces Per Square Meter:	36

+90 545 347 17 61
 +90 542 359 67 62
 +90 542 359 67 50
 +90 542 359 67 37
 +90 542 359 67 65
 +90 542 359 67 92



CURBSTONE MOULD SAMPLES



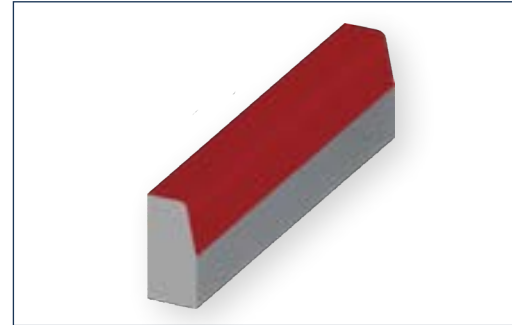
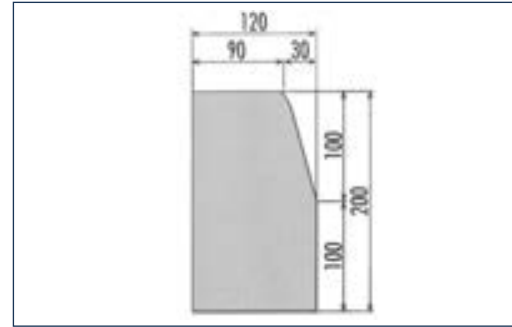
BRD - 01 / GARDEN CURBSTONE

STANDARD: 500 x 120 x 200 mm



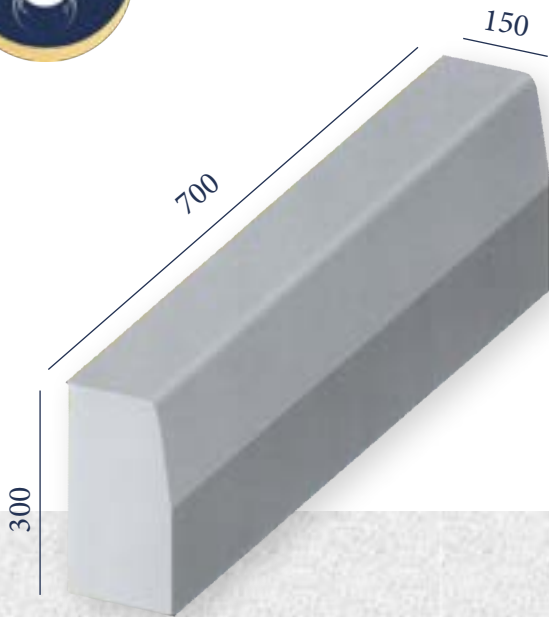
www.megamoulds.com

TOP VIEW



MEASUREMENTS

Standard Length:	500 mm	Optional Length:mm
Standard Width:	120 mm	Optional Width:mm
Standard Height:	200 mm	Optional Height:mm
Std.bottom cover thickness:	(X)	Std.bottom cover thickness:	(X)

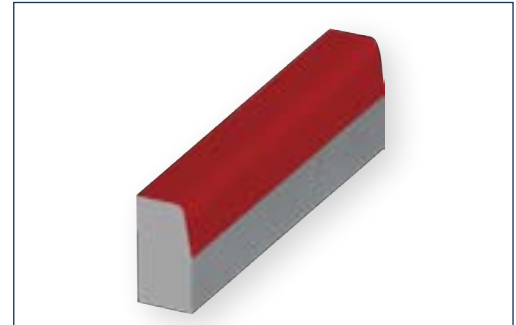
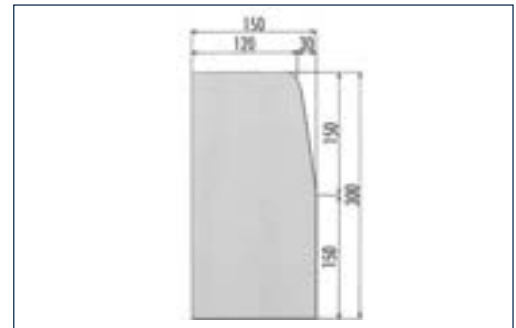


BRD - 02 / MUNICIPAL CURBSTONE
 STANDARD: 700 x 150 x 300 mm



www.megamoulds.com

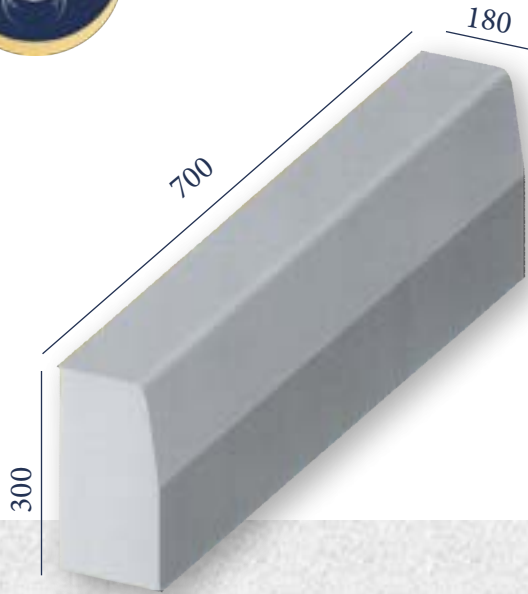
TOP VIEW



MEASUREMENTS

Standard Length:	700 mm	Optional Length:	mm
Standard Width:	150 mm	Optional Width:	mm
Standard Height:	300 mm	Optional Height:.....	mm
Std.bottom cover thickness:	(X)	Std.bottom cover thickness:	(X)

+90 545 347 17 61
 +90 542 359 67 62
 +90 542 359 67 50
 +90 542 359 67 37
 +90 542 359 67 65
 +90 542 359 67 92



BRD - 03 / HIGHWAY CURBSTONE

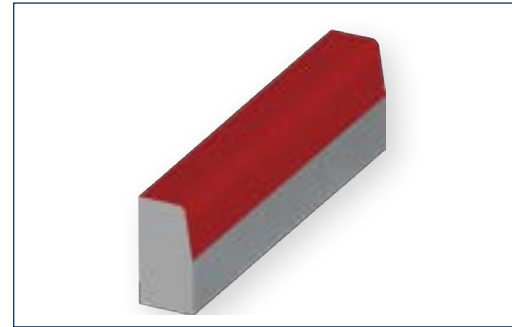
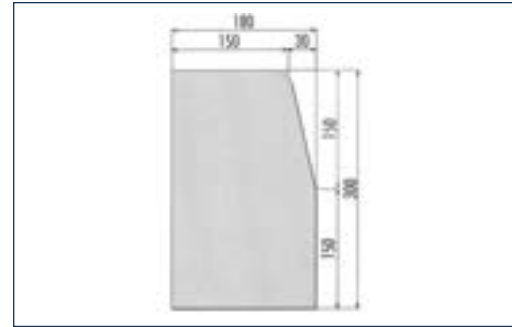
STANDARD: 700 x 180 x 300 mm



www.megamoulds.com

046

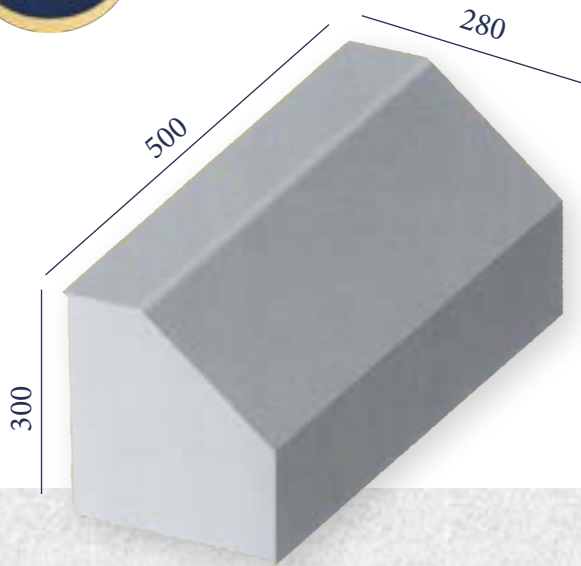
TOP VIEW



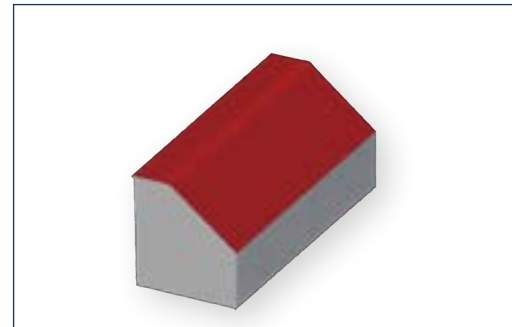
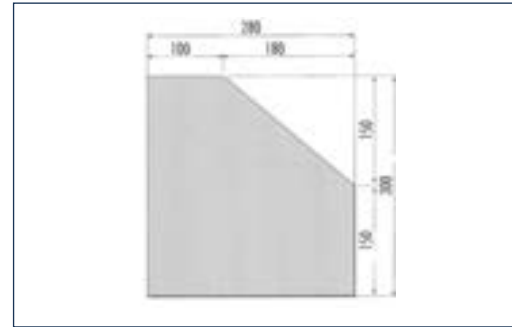
MEASUREMENTS

Standard Length:	700 mm	Optional Length:	mm
Standard Width:	180 mm	Optional Width:	mm
Standard Height:	300 mm	Optional Height:.....	mm
Std.bottom cover thickness:	(X)	Std.bottom cover thickness:	(X)

+90 545 347 17 61
 +90 542 359 67 62
 +90 542 359 67 50
 +90 542 359 67 37
 +90 542 359 67 65
 +90 542 359 67 92



TOP VIEW



MEASUREMENTS

Standard Length:	500 mm	Optional Length:	mm
Standard Width:	280 mm	Optional Width:	mm
Standard Height:	300 mm	Optional Height:.....	mm
Std.bottom cover thickness:	(X)	Std.bottom cover thickness:	(X)

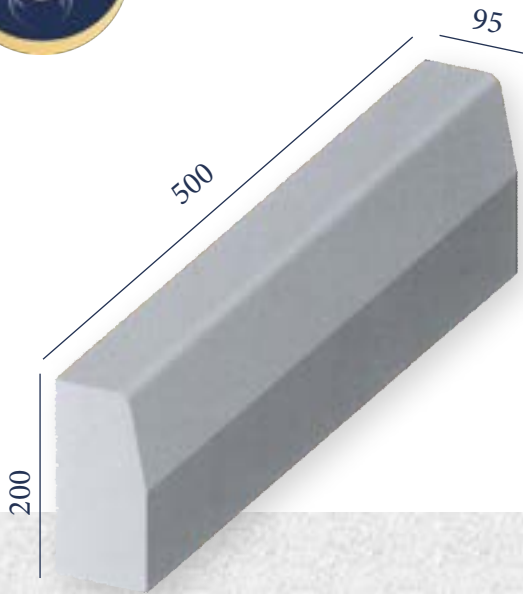
BRD - 04 / REFUGE CURBSTONE

STANDARD: 500 x 280 x 300 mm



www.megamoulds.com

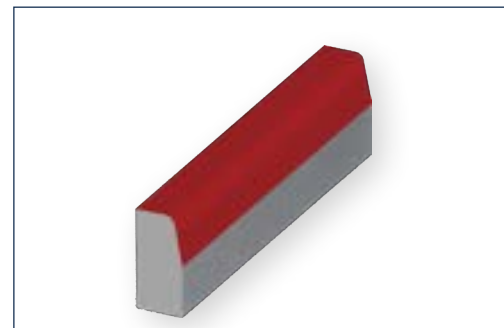
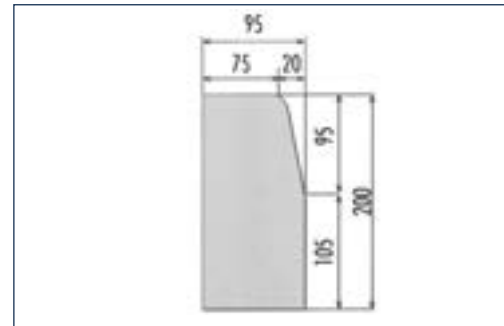
+90 545 347 17 61
 +90 542 359 67 62
 +90 542 359 67 50
 +90 542 359 67 37
 +90 542 359 67 65
 +90 542 359 67 92



BRD - 05 / GARDEN CURBSTONE
STANDARD: 500 x 95 x 200 mm



TOP VIEW



MEASUREMENTS

Standard Length:	500 mm	Optional Length:	mm
Standard Width:	95 mm	Optional Width:	mm
Standard Height:	200 mm	Optional Height:.....	mm
Std.bottom cover thickness:	(X)	Std.bottom cover thickness:	(X)

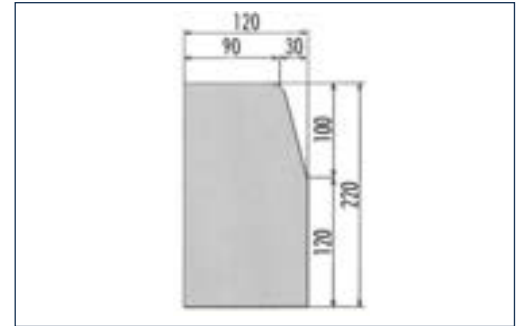


BRD - 06 / GARDEN CURBSTONE
 STANDARD: 500 x 120 x 220 mm



www.megamoulds.com

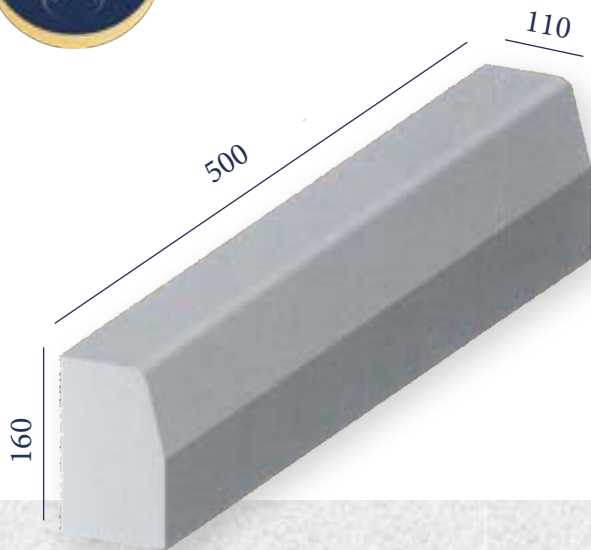
TOP VIEW



MEASUREMENTS

Standard Length:	500 mm	Optional Length:	mm
Standard Width:	120 mm	Optional Width:	mm
Standard Height:	220 mm	Optional Height:.....	mm
Std.bottom cover thickness:	(X)	Std.bottom cover thickness:	(X)

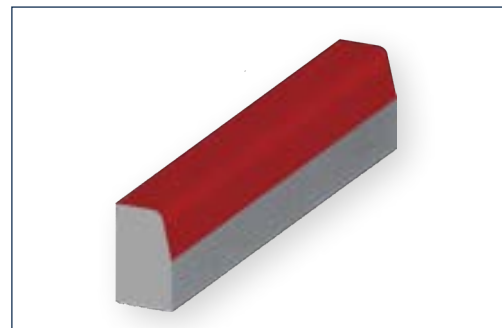
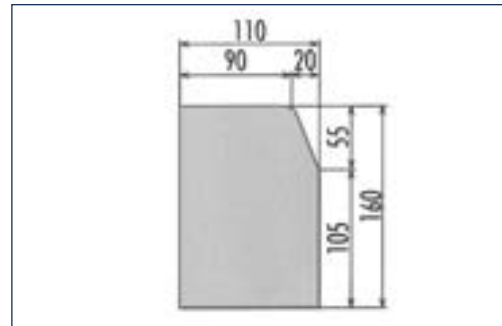
+90 545 347 17 61
 +90 542 359 67 62
 +90 542 359 67 50
 +90 542 359 67 37
 +90 542 359 67 65
 +90 542 359 67 92



BRD - 07 / SMALL CURBSTONE
 STANDARD: 500 x 110 x 160 mm

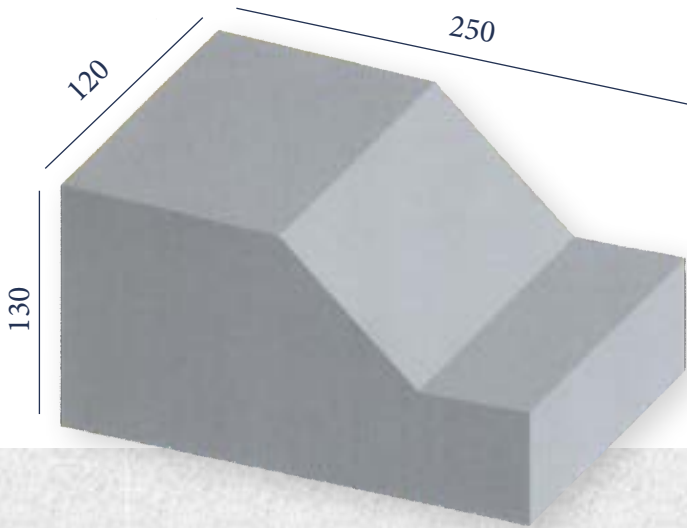


TOP VIEW



MEASUREMENTS

Standard Length:	500 mm	Optional Length:	mm
Standard Width:	110 mm	Optional Width:	mm
Standard Height:	160 mm	Optional Height:.....	mm
Std.bottom cover thickness:	(X)	Std.bottom cover thickness:	(X)



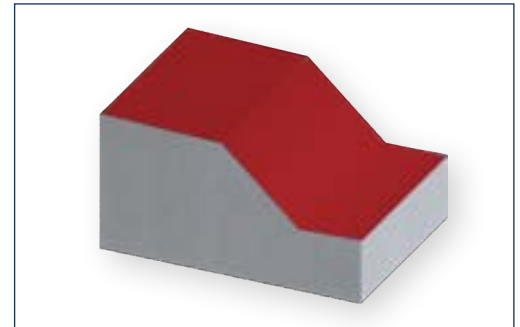
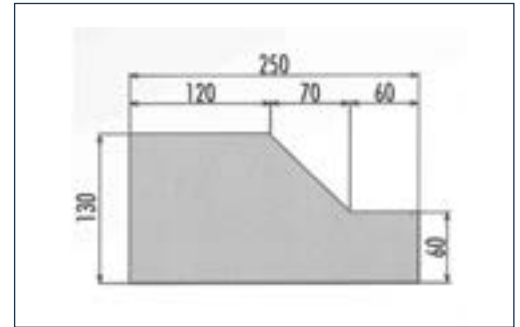
BRD - 08 / GRASS CURBSTONE

STANDARD: 120 x 250 x 130 mm



www.megamoulds.com

TOP VIEW

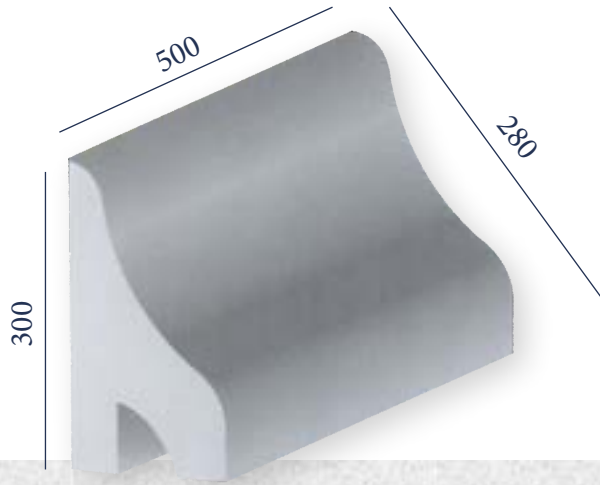


MEASUREMENTS

Standard Length:	120 mm	Optional Length:	mm
Standard Width:	250 mm	Optional Width:	mm
Standard Height:	130 mm	Optional Height:.....	mm
Std.bottom cover thickness:	(X)	Std.bottom cover thickness:	(X)

+90 545 347 17 61
 +90 542 359 67 62
 +90 542 359 67 50
 +90 542 359 67 37
 +90 542 359 67 65
 +90 542 359 67 92

051



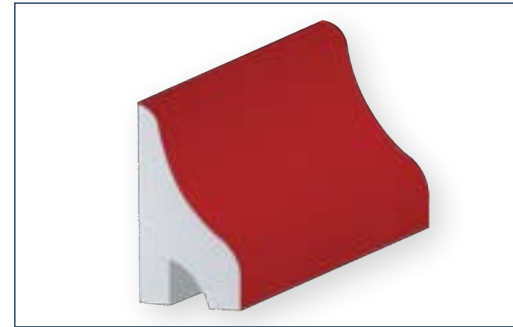
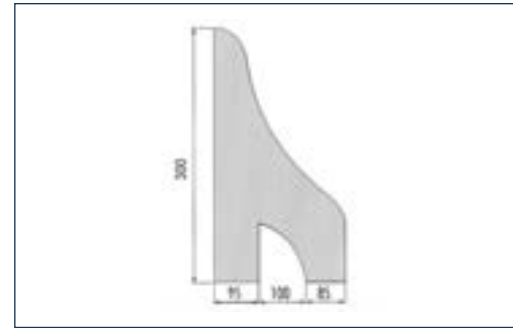
BRD - 09 / CONCRETE BOTTOM UNIT

STANDARD: 500 x 280 x 300 mm



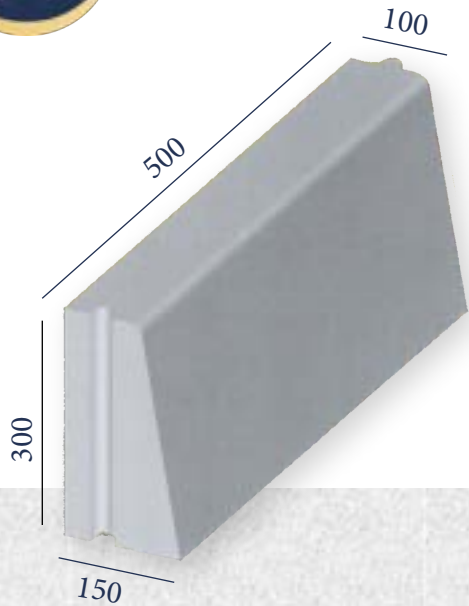
www.megamoulds.com

TOP VIEW



MEASUREMENTS

Standard Length:	500 mm	Optional Length:	mm
Standard Width:	280 mm	Optional Width:	mm
Standard Height:	300 mm	Optional Height:.....	mm
Std.bottom cover thickness:	(X)	Std.bottom cover thickness:	(X)

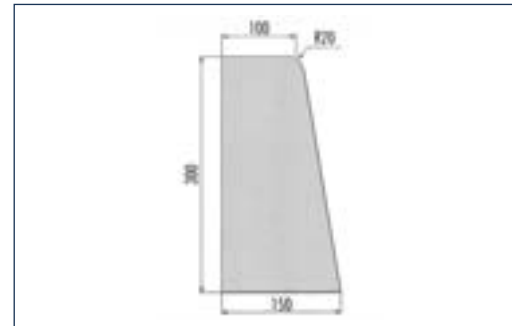


BRD - 10 / SPECIAL CURBSTONE

STANDARD: 500 x 100 - 150 x 300 mm

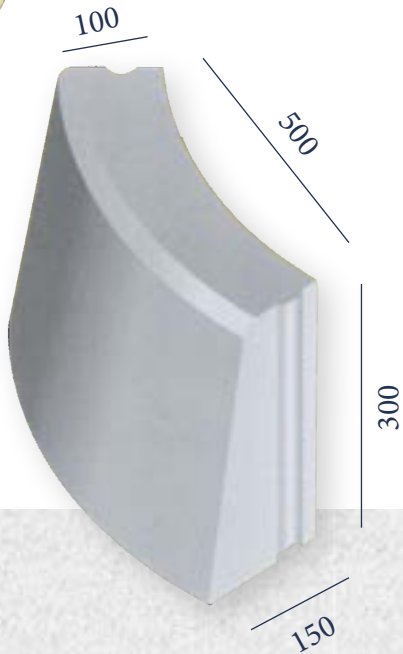


TOP VIEW



MEASUREMENTS

Standard Length:	500 mm	Optional Length:	mm
Standard Width:	100 - 150 mm	Optional Width:	mm
Standard Height:	300 mm	Optional Height:.....	mm
Std.bottom cover thickness:	(X)	Std.bottom cover thickness:	(X)



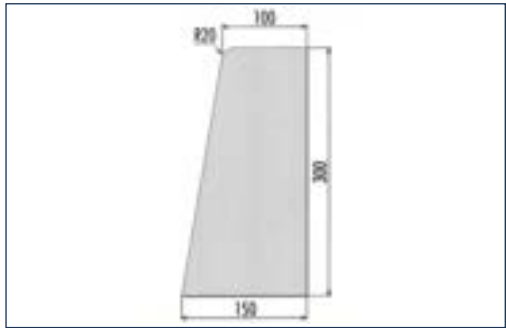
BRD - 11 / SPECIAL CURBSTONE
 STANDARD: 500 x 100 -150 x 300 mm



www.megamoulds.com

054

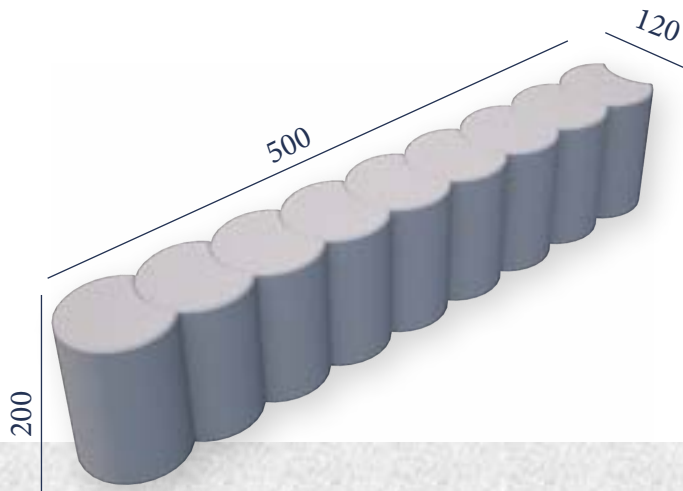
TOP VIEW



MEASUREMENTS

Standard Length:	500 mm	Optional Length:	mm
Standard Width:	100-150 mm	Optional Width:	mm
Standard Height:	300 mm	Optional Height:.....	mm
Std.bottom cover thickness:	(X)	Std.bottom cover thickness:	(X)

+90 545 347 17 61
 +90 542 359 67 62
 +90 542 359 67 50
 +90 542 359 67 37
 +90 542 359 67 65
 +90 542 359 67 92

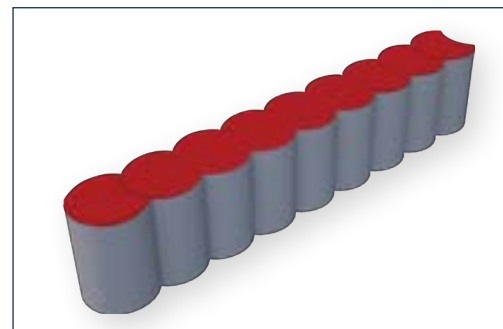
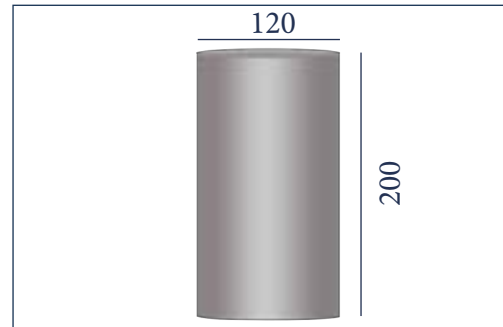


BRD - 218 / GARDEN CURBSTONE
 STANDARD: 500 x 120 x 200 mm



www.megamoulds.com

TOP VIEW

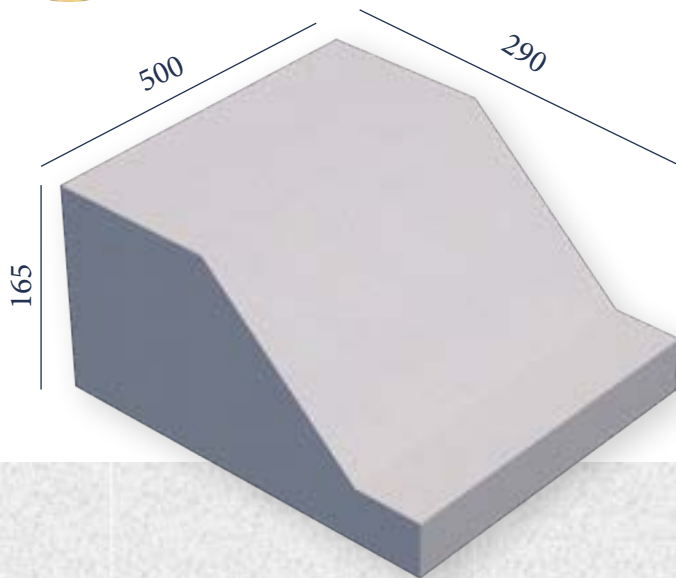


MEASUREMENTS

Standard Length:	500 mm	Optional Length:	mm
Standard Width:	120 mm	Optional Width:	mm
Standard Height:	200 mm	Optional Height:.....	mm
Std.bottom cover thickness:	(X)	Std.bottom cover thickness:	(X)

+90 545 347 17 61
 +90 542 359 67 62
 +90 542 359 67 50
 +90 542 359 67 37
 +90 542 359 67 65
 +90 542 359 67 92

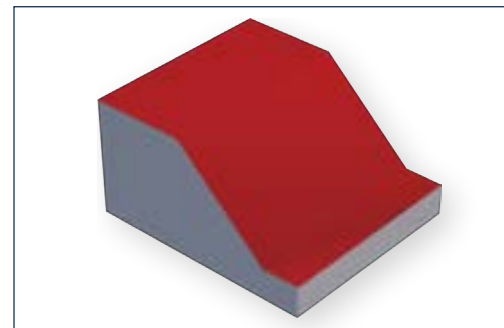
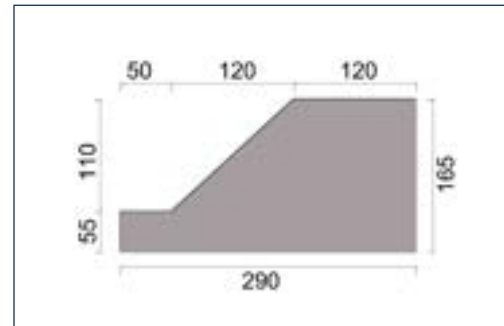
055



BRD - 231 / GARDEN CURBSTONE
STANDARD: 500 x 290 x 165 mm

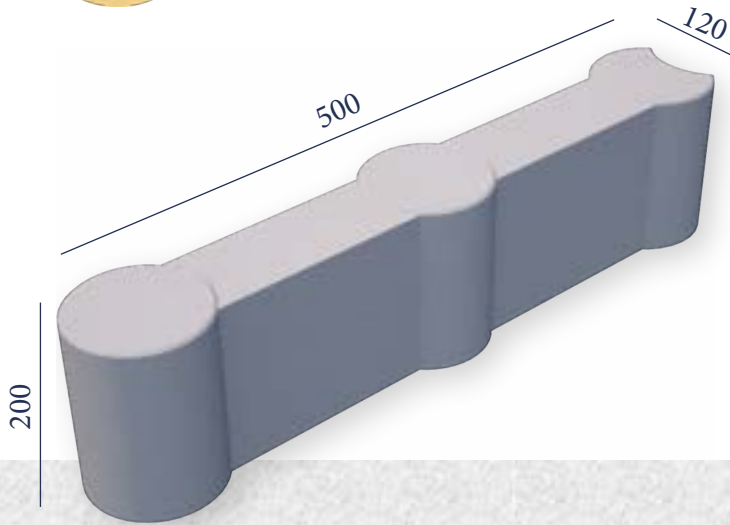


TOP VIEW



MEASUREMENTS

Standard Length:	500 mm	Optional Length:	mm
Standard Width:	290 mm	Optional Width:	mm
Standard Height:	165 mm	Optional Height:.....	mm
Std.bottom cover thickness:	(X)	Std.bottom cover thickness:	(X)

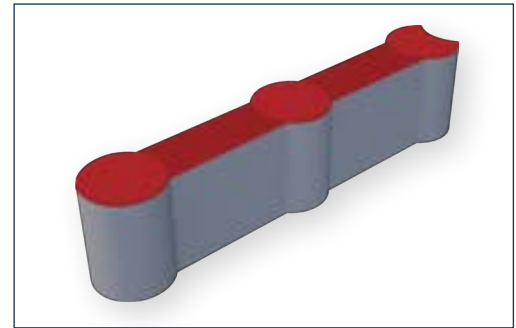
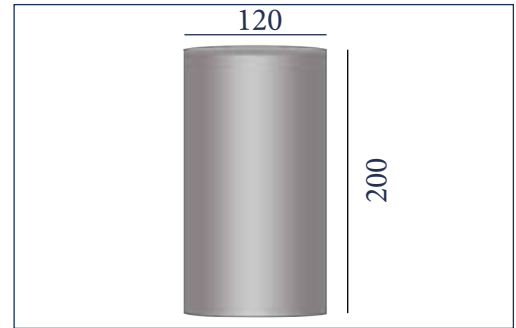


BRD - 232 / GARDEN CURBSTONE
 STANDARD: 500 x 120 x 200 mm

www.megamoulds.com



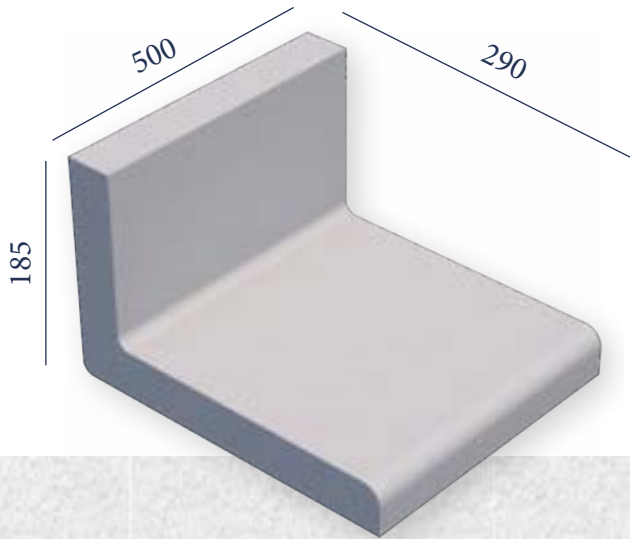
TOP VIEW



MEASUREMENTS

Standard Length:	500 mm	Optional Length:	mm
Standard Width:	120 mm	Optional Width:	mm
Standard Height:	200 mm	Optional Height:.....	mm
Std.bottom cover thickness:	(X)	Std.bottom cover thickness:	(X)

+90 545 347 17 61
 +90 542 359 67 62
 +90 542 359 67 50
 +90 542 359 67 37
 +90 542 359 67 65
 +90 542 359 67 92

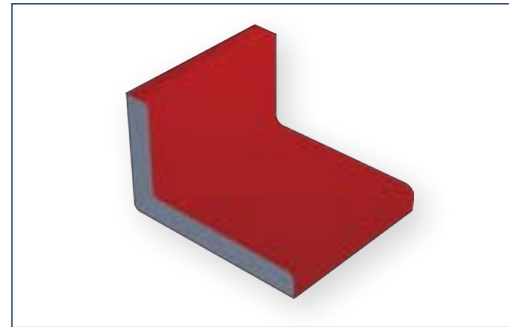
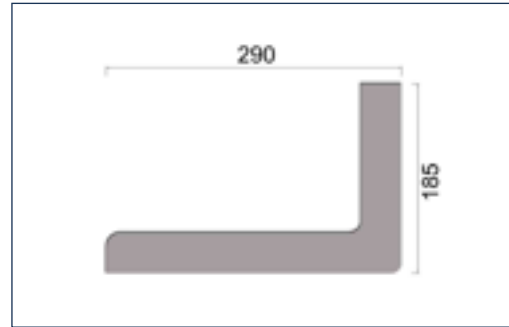


BRD - 233 / GARDEN CURBSTONE

STANDARD: 500 x 290 x 185 mm

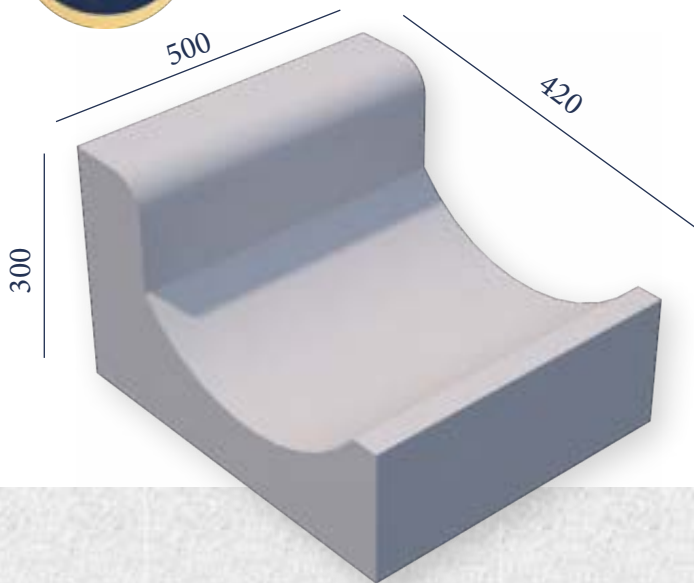


TOP VIEW



MEASUREMENTS

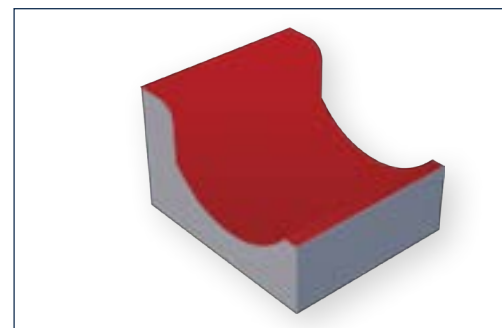
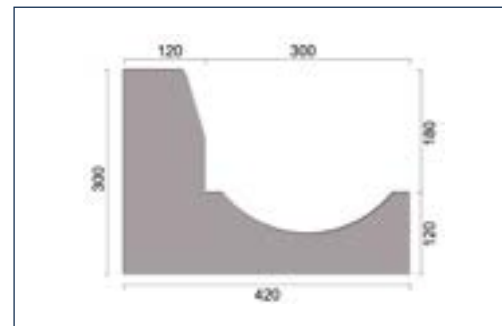
Standard Length:	500 mm	Optional Length:	mm
Standard Width:	290 mm	Optional Width:	mm
Standard Height:	185 mm	Optional Height:.....	mm
Std.bottom cover thickness:	(X)	Std.bottom cover thickness:	(X)



BRD - 234 /GARDEN CURBSTONE
STANDARD: 500 x 420 x 300 mm



TOP VIEW

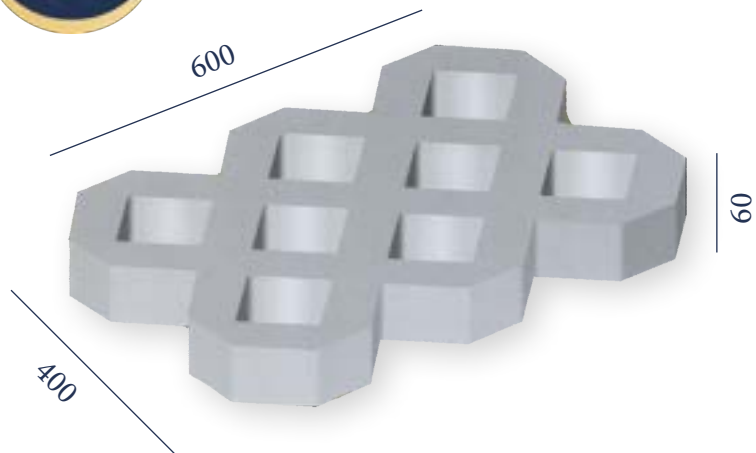


MEASUREMENTS

Standard Length:	500 mm	Optional Length:	mm
Standard Width:	420 mm	Optional Width:	mm
Standard Height:	300 mm	Optional Height:.....	mm
Std.bottom cover thickness:	(X)	Std.bottom cover thickness:	(X)



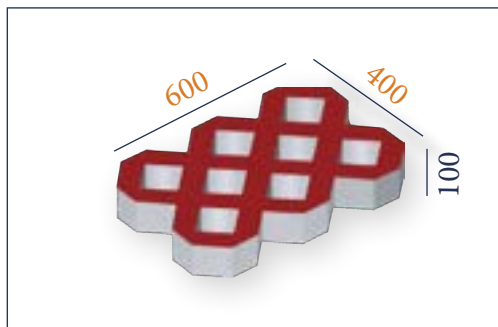
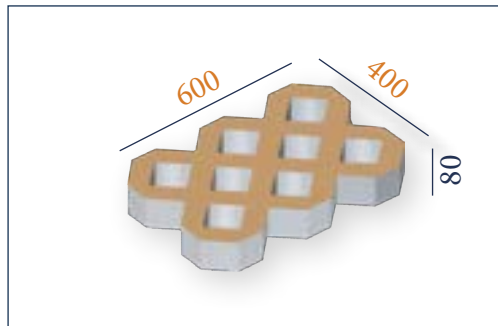
GRASSCRETE MOULD SAMPLES



CMT - 01 / GRASSCRETE MOULD
STANDARD: 600 x 400 x 60 mm

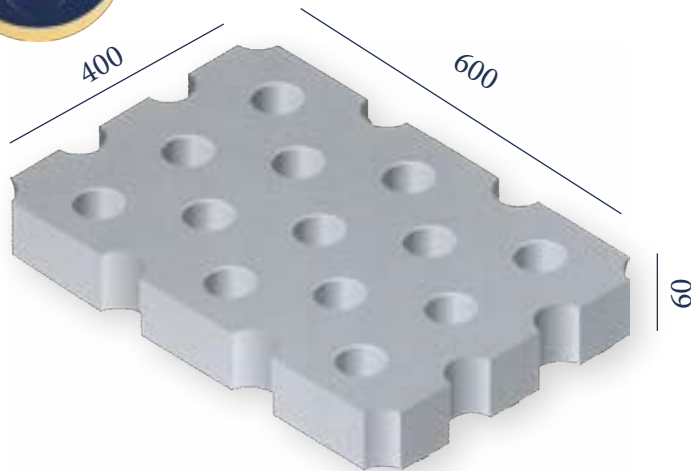


THICKNESSES



MEASUREMENTS

Standard Length:	600 mm
Standard Width:	400 mm
Standard Height:	60 mm
Piece Area dm ² :	24
Used Pieces Per Square Meter:	4



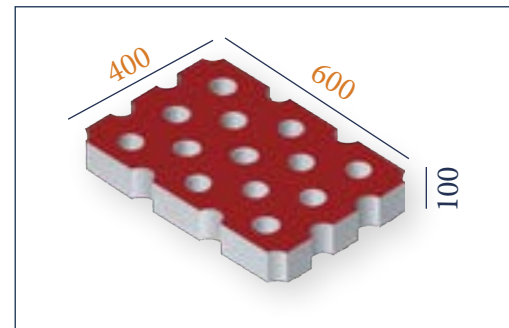
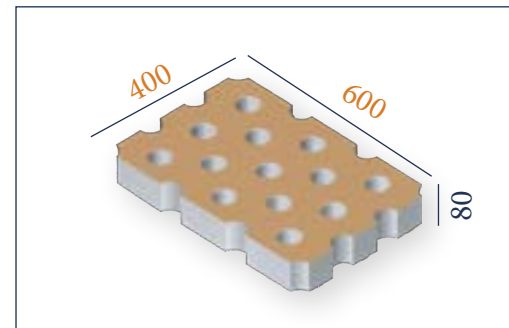
CMT - 02 / GRASSCRETE MOULD

STANDARD: 600 x 400 x 60 mm



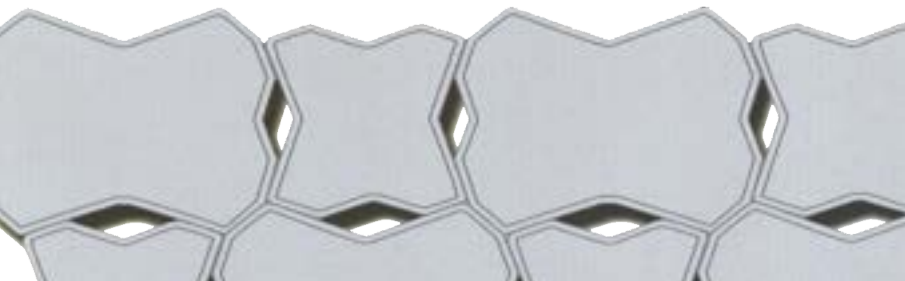
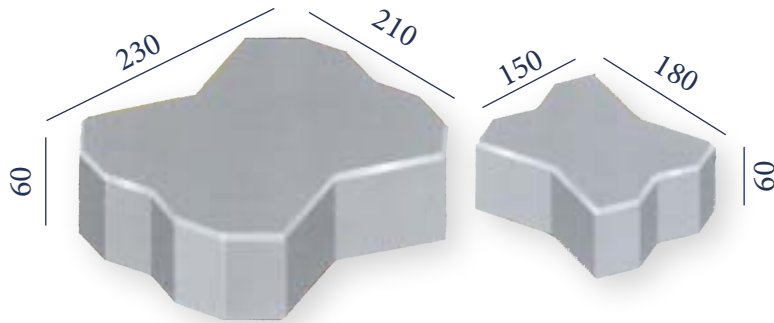
www.megamoulds.com

THICKNESSES



MEASUREMENTS

Standard Length:	600 mm
Standard Width:	400 mm
Standard Height:	60 mm
Piece Area dm ² :	24
Used Pieces Per Square Meter:	4

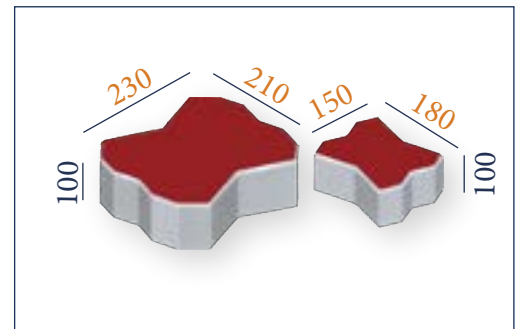
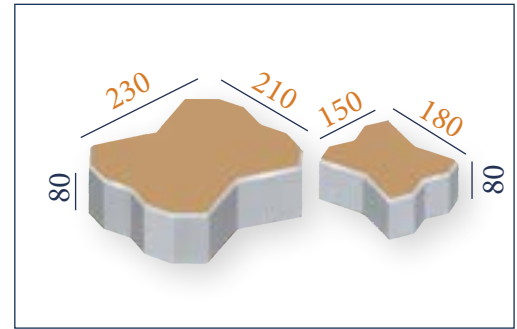


CMT - 03 / GRASSCRETE MOULD

STANDARD: 230 x 210 / 150 x 180 - 60 mm

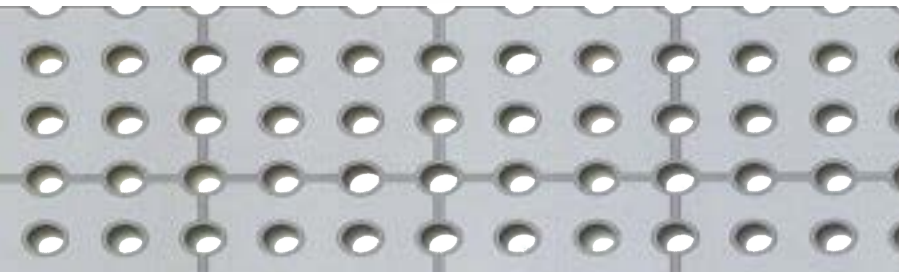
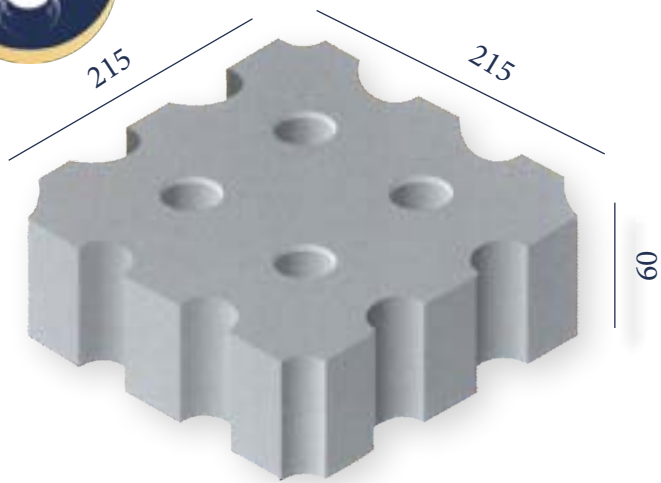


THICKNESSES



MEASUREMENTS

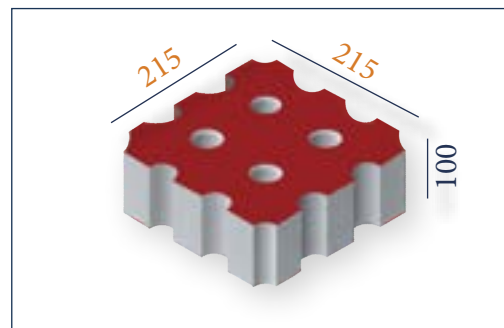
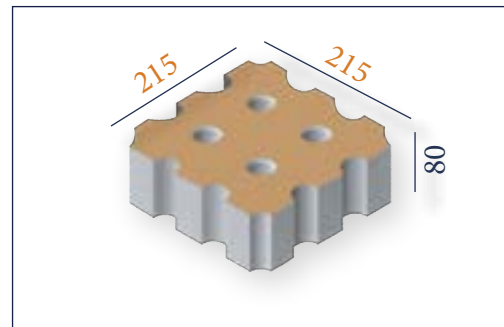
Standard Length:	230 / 180 mm
Standard Width:	210 / 150 mm
Standard Height:	60 mm
Piece Area dm ² :	3.9 / 2.2
Used Pieces Per Square Meter:	25 / 46



CMT - 04 / GRASSCRETE MOULD
 STANDARD: 215 x 215 x 60 mm

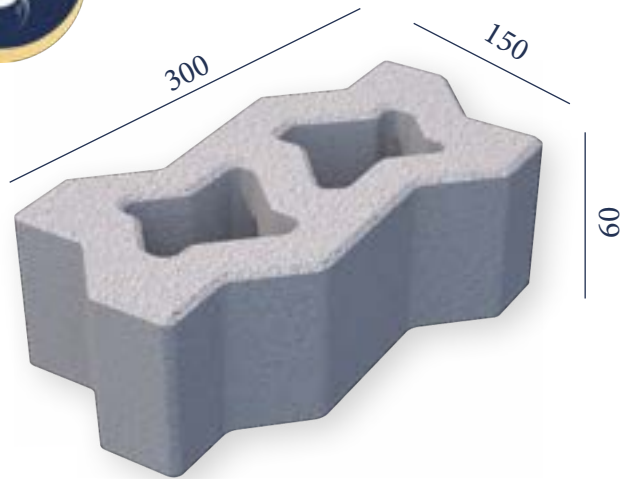


THICKNESSES



MEASUREMENTS

Standard Length:	215 mm
Standard Width:	215 mm
Standard Height:	60 mm
Piece Area dm ² :	4,6
Used Pieces Per Square Meter:	21



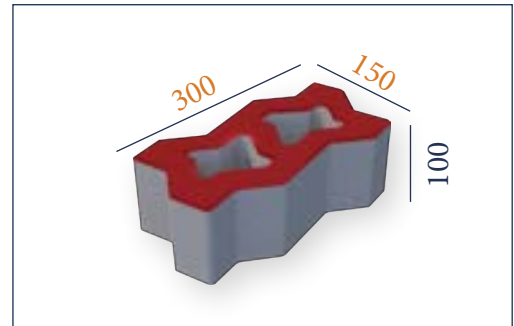
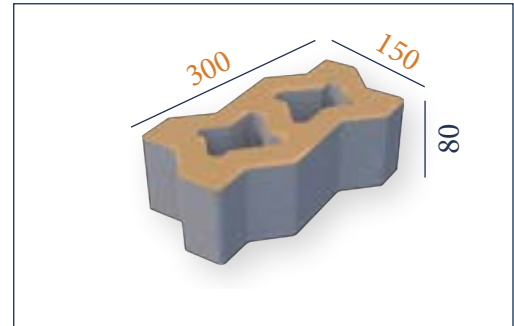
CMT - 05 / GRASSCRETE MOULD

STANDARD: 300 x 150 x 60 mm



www.megamoulds.com

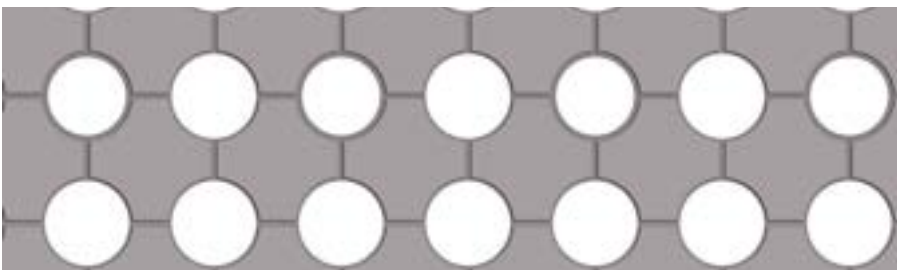
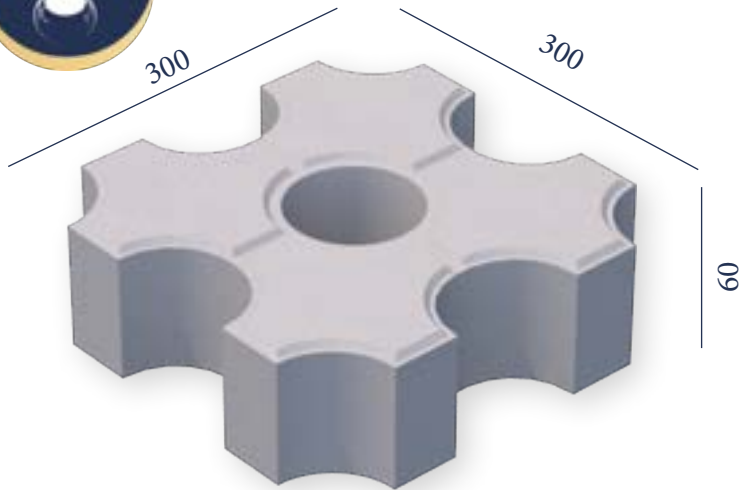
THICKNESSES



MEASUREMENTS

Standard Length:	300 mm
Standard Width:	150 mm
Standard Height:	60 mm
Piece Area dm ² :	4.5
Used Pieces Per Square Meter:	22

+90 545 347 17 61
 +90 542 359 67 62
 +90 542 359 67 50
 +90 542 359 67 37
 +90 542 359 67 65
 +90 542 359 67 92



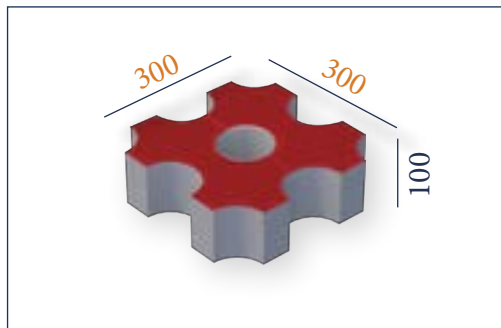
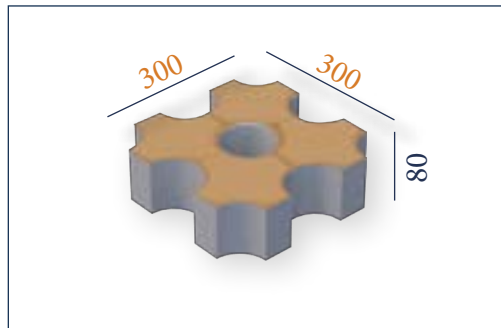
CMT - 06 / GRASSCRETE MOULD
 STANDARD: 300 x 300 x 60 mm



www.megamoulds.com

065

THICKNESSES

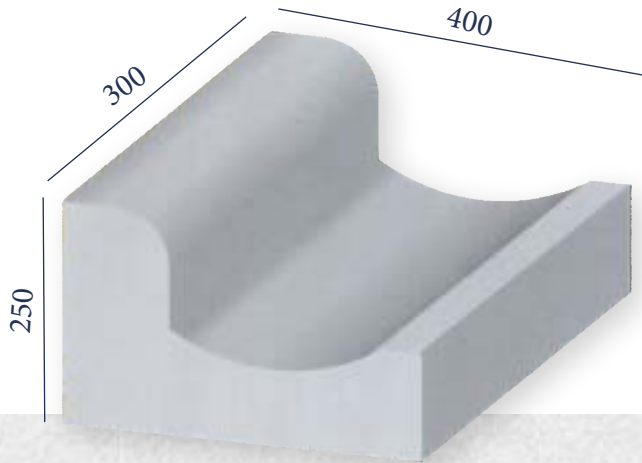


MEASUREMENTS

Standard Length:	300 mm
Standard Width:	300 mm
Standard Height:	60 mm
Piece Area dm ² :	9
Used Pieces Per Square Meter:	11



CONCRETE GUTTER MOULD SAMPLES

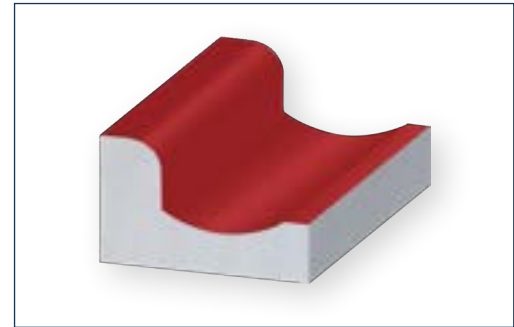
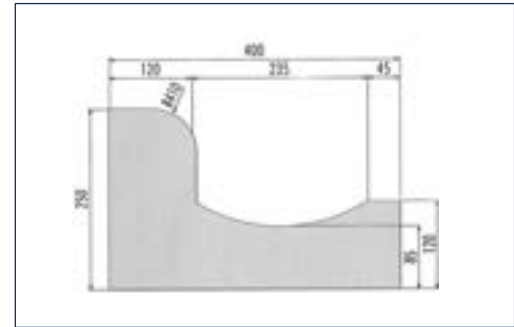


BRD - 12 DRAINAGE GUTTER

STANDARD: 300 x 400 x 250 mm

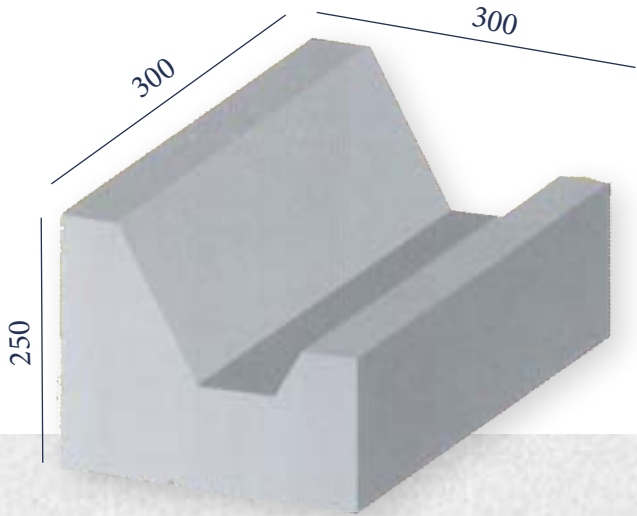


TOP VIEW



MEASUREMENTS

Standard Length:	300 mm	Optional Length:	mm
Standard Width:	400 mm	Optional Width:	mm
Standard Height:	250 mm	Optional Height:.....	mm
Std.bottom cover thickness:	(X)	Std.bottom cover thickness:	(X)



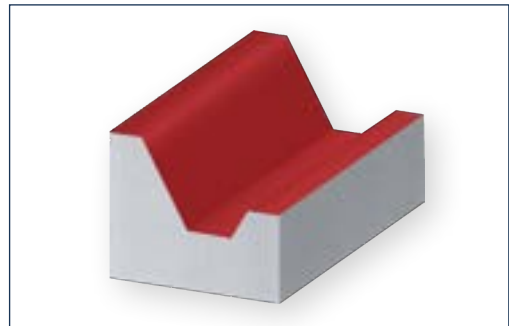
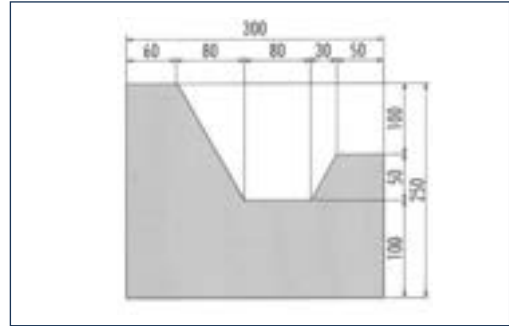
BRD - 13 DRAINAGE GUTTER

STANDARD: 300 x 300 x 250 mm



www.megamoulds.com

TOP VIEW

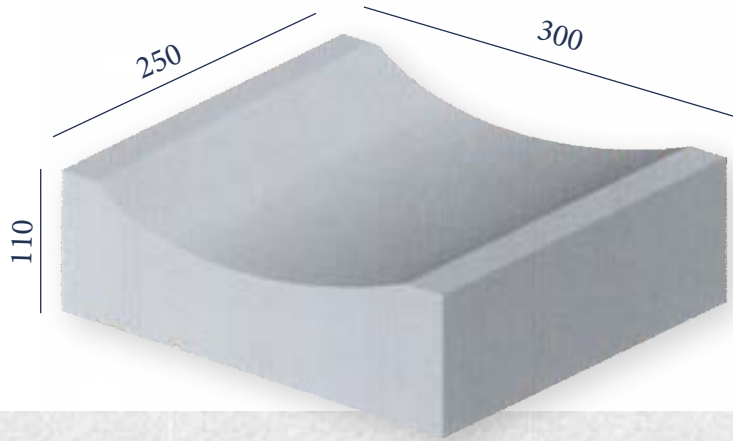


MEASUREMENTS

Standard Length:	300 mm	Optional Length:	mm
Standard Width:	300 mm	Optional Width:	mm
Standard Height:	250 mm	Optional Height:	mm
Std.bottom cover thickness:	(X)	Std.bottom cover thickness:	(X)

+90 545 347 17 61
 +90 542 359 67 62
 +90 542 359 67 50
 +90 542 359 67 37
 +90 542 359 67 65
 +90 542 359 67 92

190



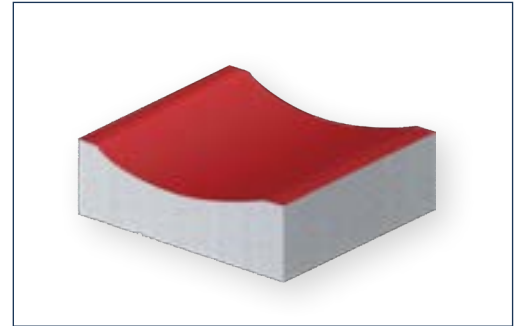
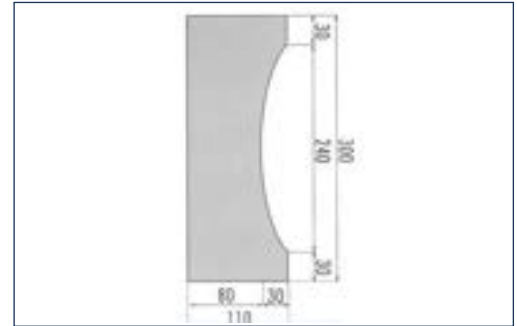
YGM - 14 RAIN GUTTER
STANDARD: 250 x 300 x 110 mm

068

www.megamoulds.com



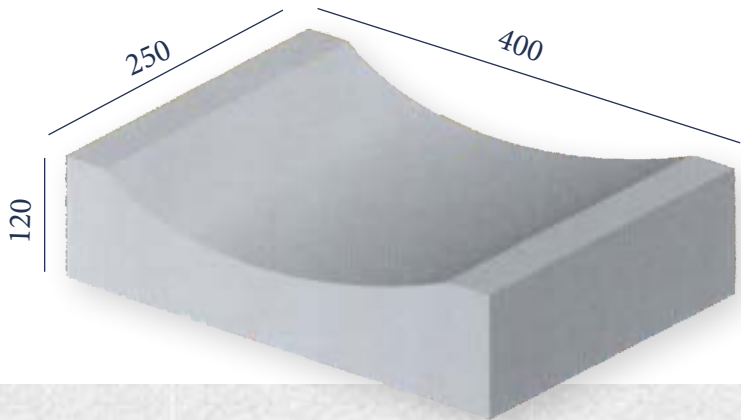
TOP VIEW



MEASUREMENTS

Standard Length:	250 mm	Optional Length:	mm
Standard Width:	300 mm	Optional Width:	mm
Standard Height:	110 mm	Optional Height:	mm
Std.bottom cover thickness:	(X)	Std.bottom cover thickness:	(X)

+90 545 347 17 61
 +90 542 359 67 62
 +90 542 359 67 50
 +90 542 359 67 37
 +90 542 359 67 65
 +90 542 359 67 92

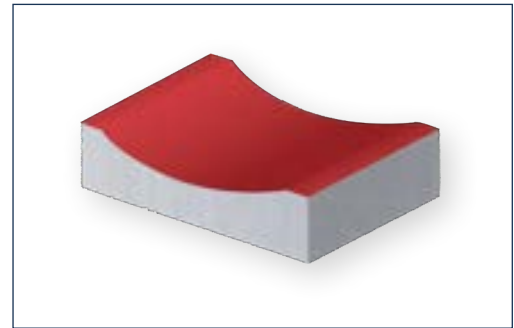
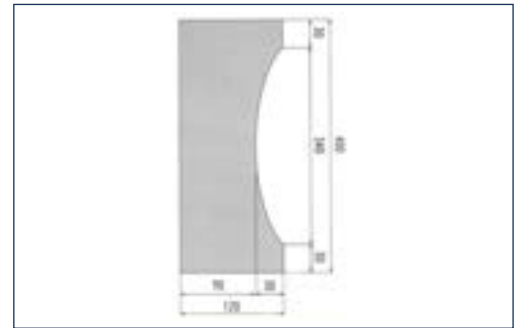


YGM - 15 RAIN GUTTER
STANDARD: 250 x 400 x 120 mm



www.megamoulds.com

TOP VIEW

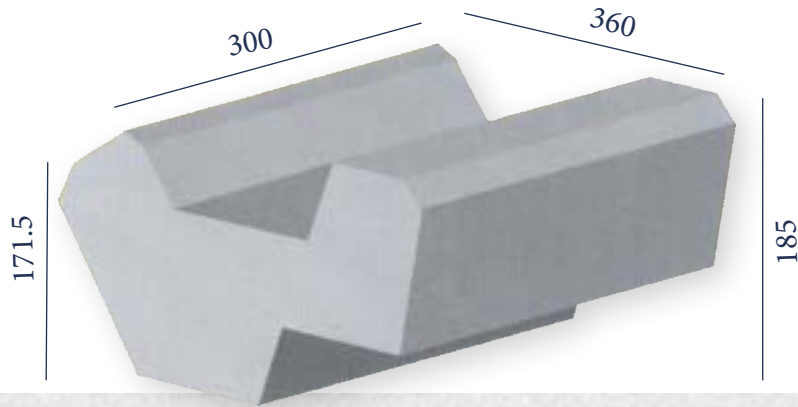


MEASUREMENTS

Standard Length:	250 mm	Optional Length:	mm
Standard Width:	400 mm	Optional Width:	mm
Standard Height:	120 mm	Optional Height:	mm
Std.bottom cover thickness:	(X)	Std.bottom cover thickness:	(X)

+90 545 347 17 61
 +90 542 359 67 62
 +90 542 359 67 50
 +90 542 359 67 37
 +90 542 359 67 65
 +90 542 359 67 92

0690



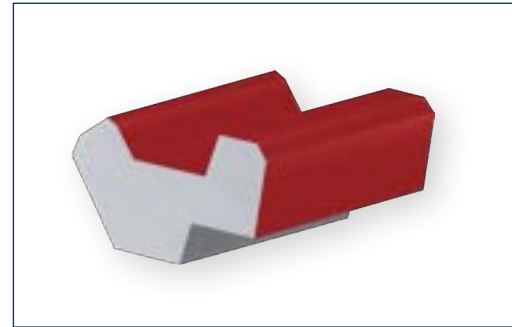
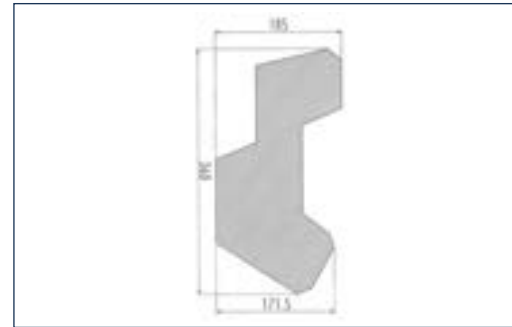
BRD - 16 RETAINING BLOCK

STANDARD: 300 x 360 x 185 - 171.5 mm



www.megamoulds.com

TOP VIEW



MEASUREMENTS

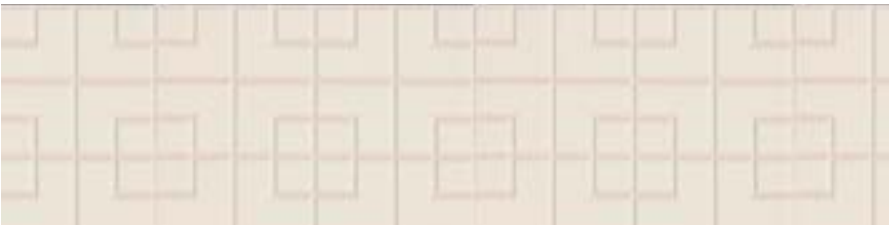
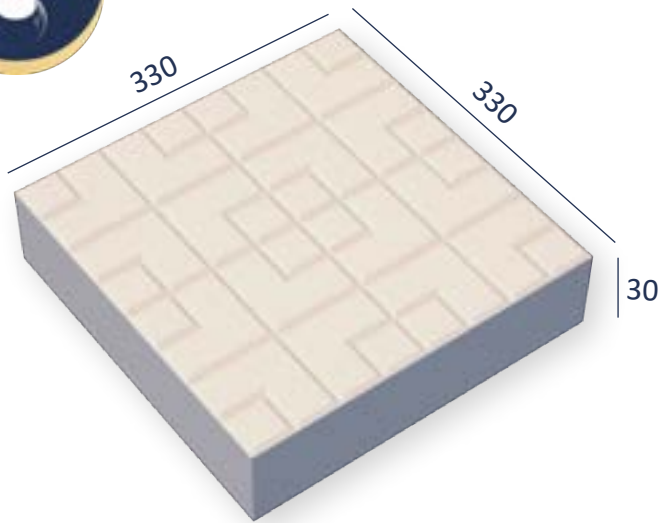
Standard Length:	300 mm	Optional Length:	mm
Standard Width:	360 mm	Optional Width:	mm
Standard Height:	185 - 171.5 mm	Optional Height:.....	mm
Std.bottom cover thickness:	(X)	Std.bottom cover thickness:	(X)

070

+90 545 347 17 61
 +90 542 359 67 62
 +90 542 359 67 50
 +90 542 359 67 37
 +90 542 359 67 65
 +90 542 359 67 92



CONCRETE PAVING SLAB MOULD SAMPLES



KR-SUMELA - PAVING SLAB

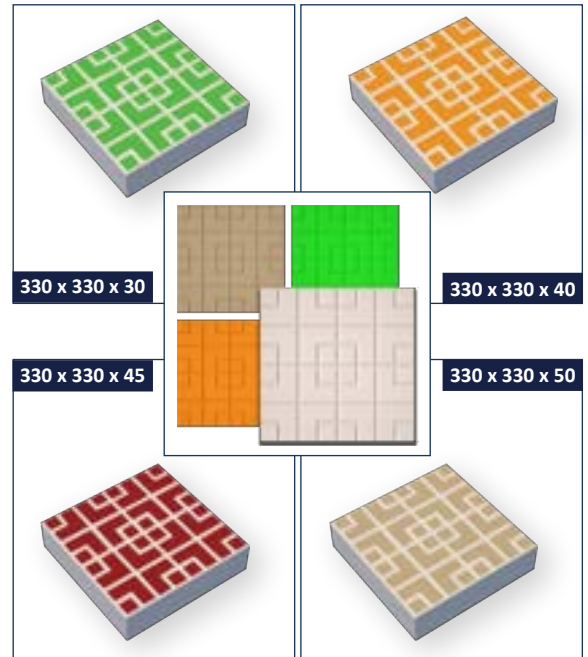
STANDARD: 330 x 330 x 30 mm



www.megamoulds.com

071

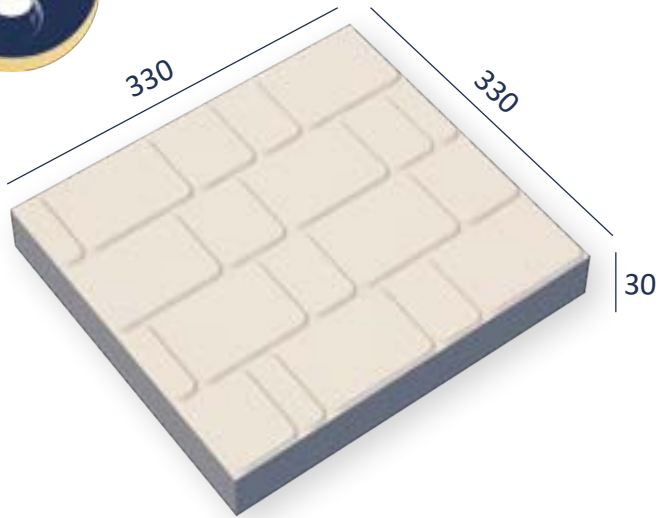
THICKNESSES



MEASUREMENTS

Standard Length:	330 mm	Optional Length:	mm
Standard Width:	330 mm	Optional Width:	mm
Standard Height:	30 mm	Optional Height:.....	mm
Std.bottom cover thickness:	(X)	Std.bottom cover thickness:	(X)

+90 545 347 17 61
 +90 542 359 67 62
 +90 542 359 67 50
 +90 542 359 67 37
 +90 542 359 67 65
 +90 542 359 67 92



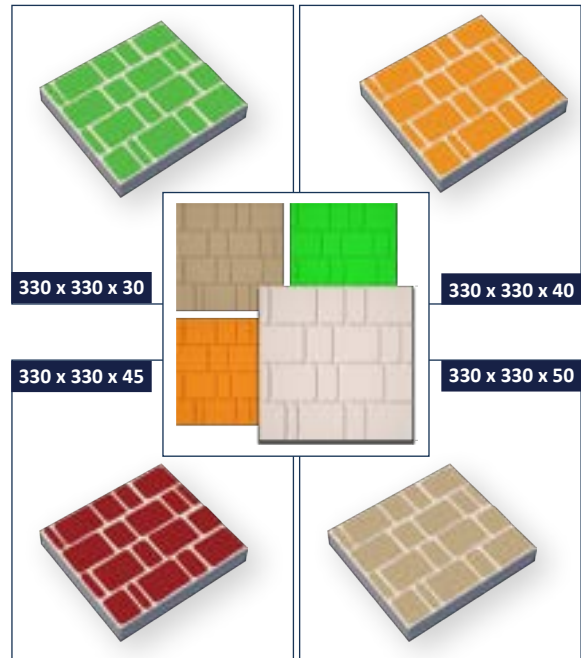
KR-ARIZONA - PAVING SLAB

STANDARD: 330 x 330 x 30 mm



www.megamoulds.com

THICKNESSES

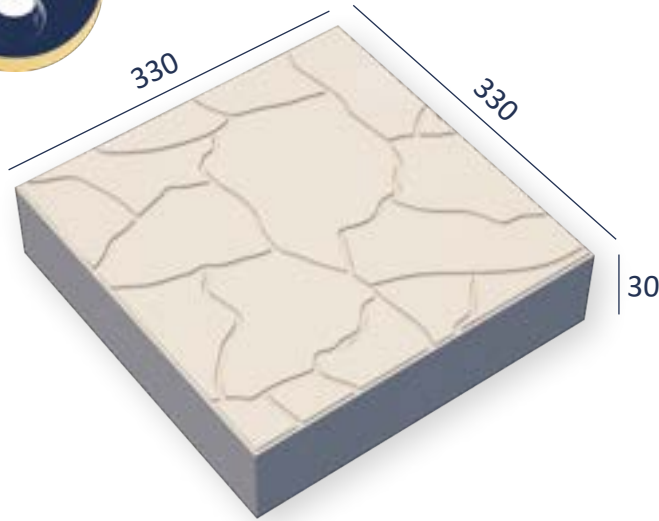


MEASUREMENTS

Standard Length:	330 mm	Optional Length:mm
Standard Width:	330 mm	Optional Width:mm
Standard Height:	30 mm	Optional Height:mm
Std.bottom cover thickness:	(X)	Std.bottom cover thickness:	(X)

+90 545 347 17 61
 +90 542 359 67 62
 +90 542 359 67 50
 +90 542 359 67 37
 +90 542 359 67 65
 +90 542 359 67 92

072

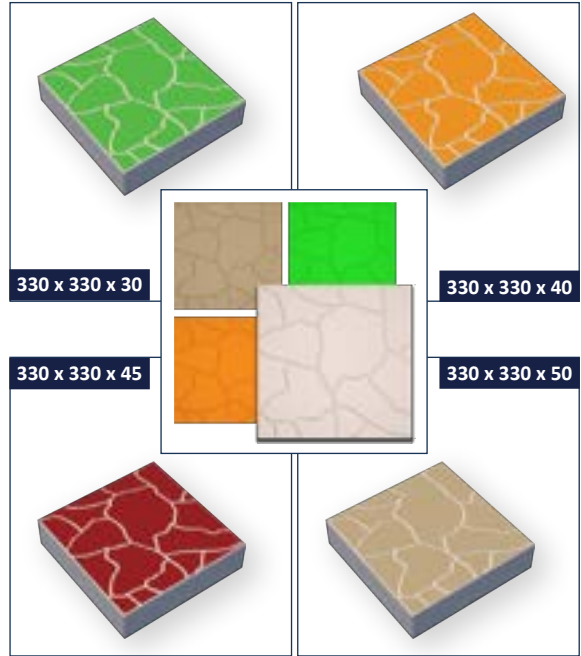


KR-ALACATI - PAVING SLAB

STANDARD: 330 x 330 x 30 mm

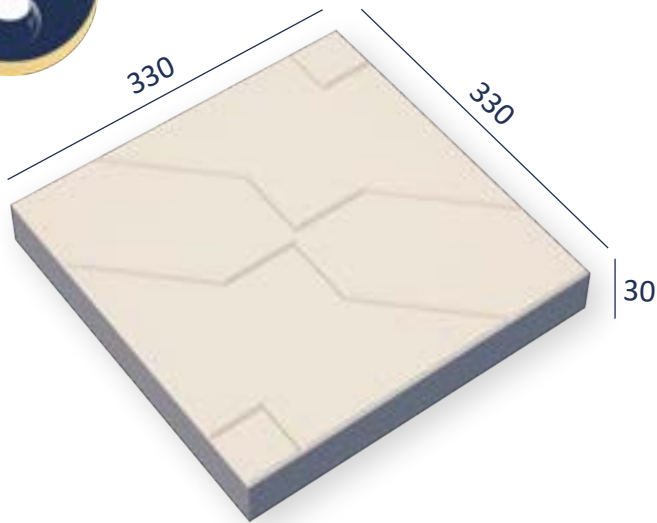


THICKNESSES



MEASUREMENTS

Standard Length:	330 mm	Optional Length:	mm
Standard Width:	330 mm	Optional Width:	mm
Standard Height:	30 mm	Optional Height:	mm
Std.bottom cover thickness:	(X)	Std.bottom cover thickness:	(X)



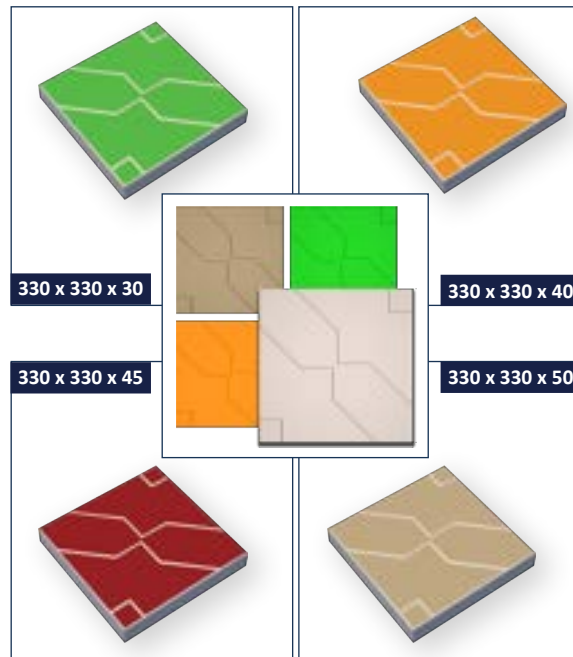
KR-ASPENTOS - PAVING SLAB

STANDARD: 330 x 330 x 30 mm



www.megamoulds.com

THICKNESSES



330 x 330 x 30

330 x 330 x 40

330 x 330 x 45

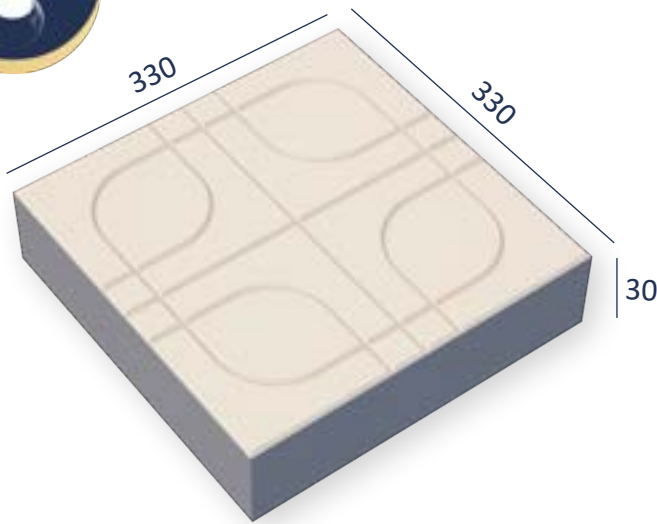
330 x 330 x 50

MEASUREMENTS

Standard Length:	330 mm	Optional Length:	mm
Standard Width:	330 mm	Optional Width:	mm
Standard Height:	30 mm	Optional Height:	mm
Std.bottom cover thickness:	(X)	Std.bottom cover thickness:	(X)

+90 545 347 17 61
 +90 542 359 67 62
 +90 542 359 67 50
 +90 542 359 67 37
 +90 542 359 67 65
 +90 542 359 67 92

074



KR-AVANOS - PAVING SLAB

STANDARD: 330 x 330 x 30 mm



www.megamoulds.com

075

THICKNESSES



330 x 330 x 30

330 x 330 x 40

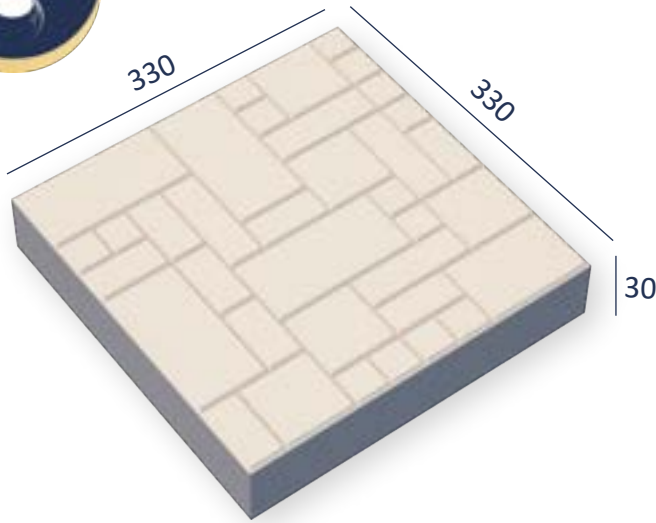
330 x 330 x 45

330 x 330 x 50

MEASUREMENTS

Standard Length:	330 mm	Optional Length:	mm
Standard Width:	330 mm	Optional Width:	mm
Standard Height:	30 mm	Optional Height:	mm
Std.bottom cover thickness:	(X)	Std.bottom cover thickness:	(X)

+90 545 347 17 61
 +90 542 359 67 62
 +90 542 359 67 50
 +90 542 359 67 37
 +90 542 359 67 65
 +90 542 359 67 92

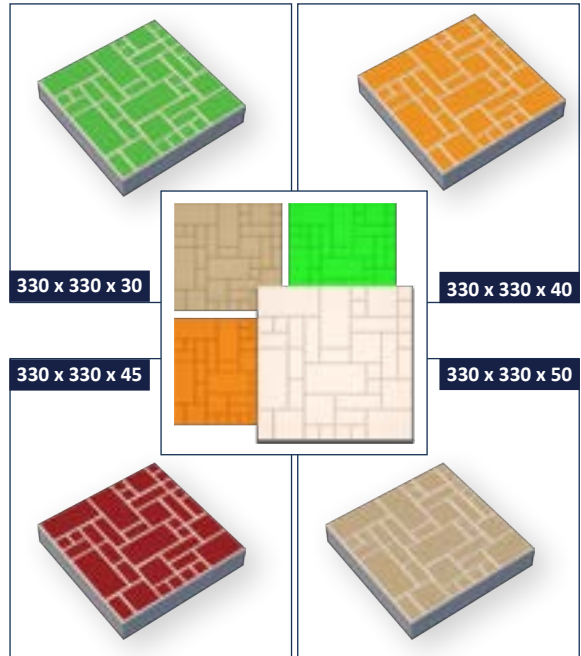


KR-EFES - PAVING SLAB
 STANDARD: 330 x 330 x 30 mm

www.megamoulds.com



THICKNESSES



330 x 330 x 30

330 x 330 x 40

330 x 330 x 45

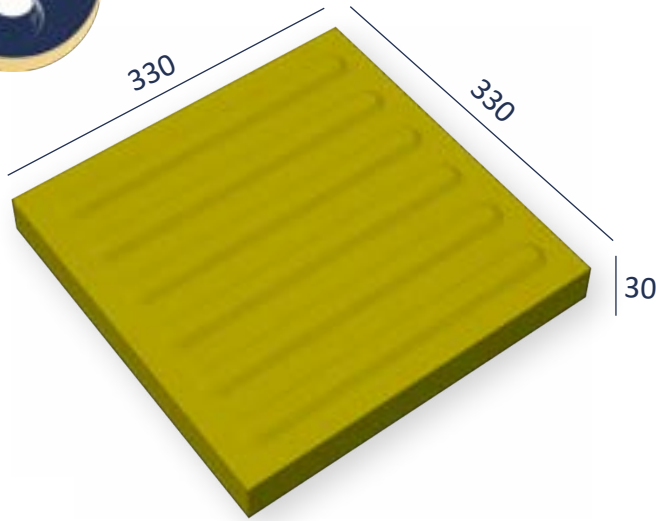
330 x 330 x 50

MEASUREMENTS

Standard Length:	330 mm	Optional Length:	mm
Standard Width:	330 mm	Optional Width:	mm
Standard Height:	30 mm	Optional Height:	mm
Std.bottom cover thickness:	(X)	Std.bottom cover thickness:	(X)

+90 545 347 17 61
 +90 542 359 67 62
 +90 542 359 67 50
 +90 542 359 67 37
 +90 542 359 67 65
 +90 542 359 67 92

976



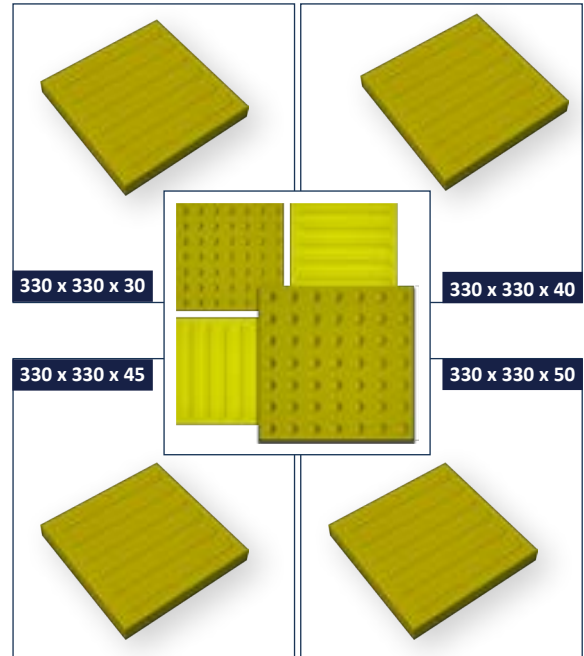
KR-ENGELLI 1 - TACTILE BLOCK

STANDARD: 330 x 330 x 30 mm



www.megamoulds.com

THICKNESSES



330 x 330 x 30

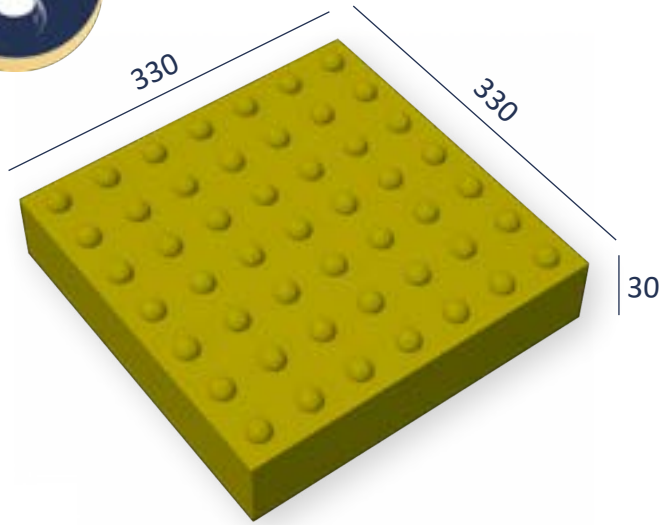
330 x 330 x 40

330 x 330 x 45

330 x 330 x 50

MEASUREMENTS

Standard Length:	330 mm	Optional Length:	mm
Standard Width:	330 mm	Optional Width:	mm
Standard Height:	30 mm	Optional Height:	mm
Std.bottom cover thickness:	(X)	Std.bottom cover thickness:	(X)



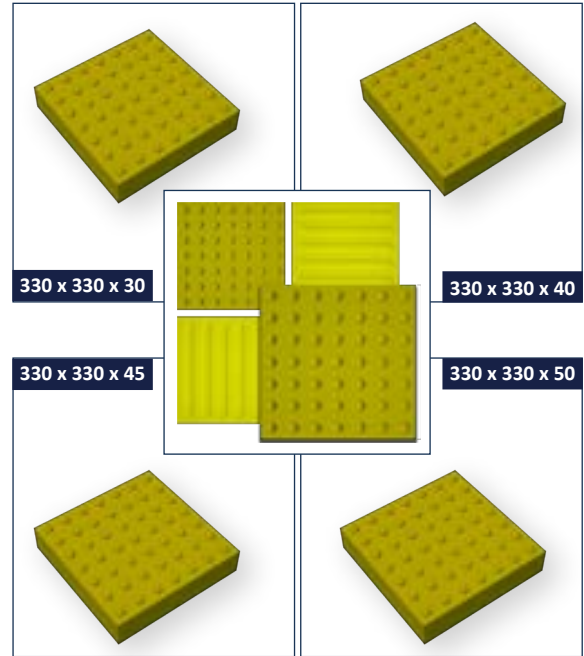
KR-ENGELLI 2 - TACTILE BLOCK

STANDARD: 330 x 330 x 30 mm



www.megamoulds.com

THICKNESSES

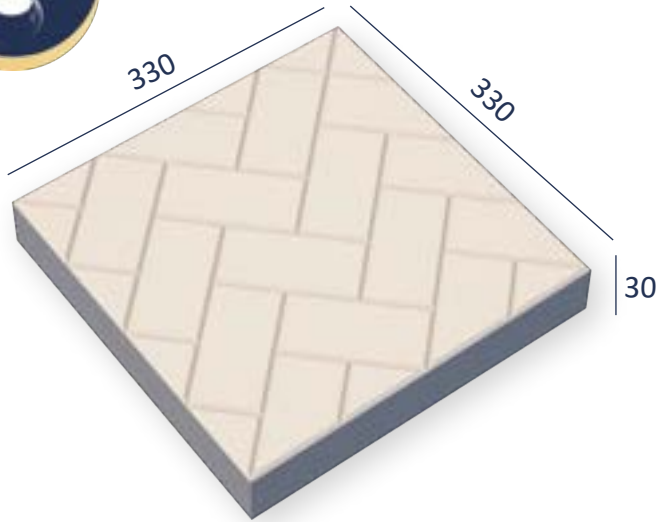


MEASUREMENTS

Standard Length:	330 mm	Optional Length:	mm
Standard Width:	330 mm	Optional Width:	mm
Standard Height:	30 mm	Optional Height:	mm
Std.bottom cover thickness:	(X)	Std.bottom cover thickness:	(X)

+90 545 347 17 61
 +90 542 359 67 62
 +90 542 359 67 50
 +90 542 359 67 37
 +90 542 359 67 65
 +90 542 359 67 92

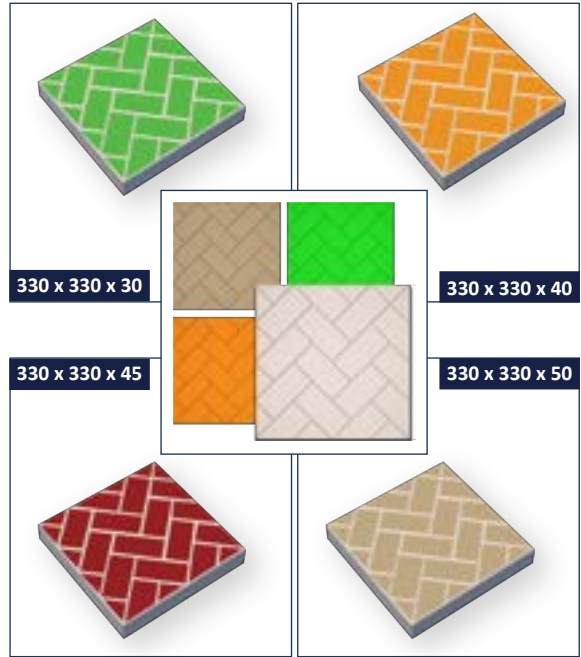
078



KR-KAPADOKYA - PAVING SLAB
 STANDARD: 330 x 330 x 30 mm



THICKNESSES



330 x 330 x 30

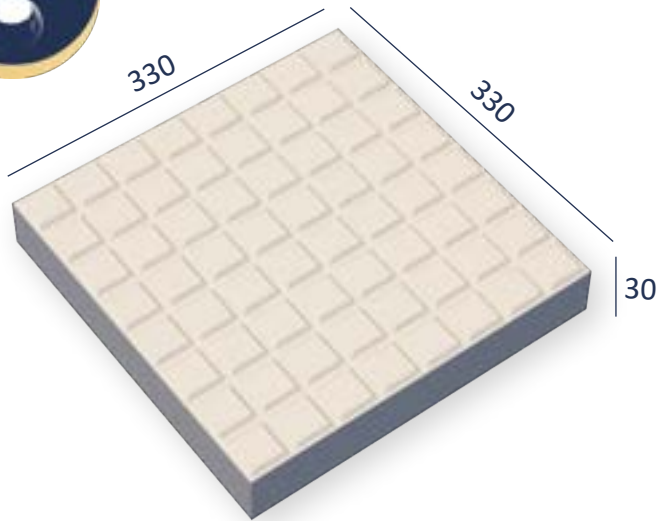
330 x 330 x 40

330 x 330 x 45

330 x 330 x 50

MEASUREMENTS

Standard Length:	330 mm	Optional Length:	mm
Standard Width:	330 mm	Optional Width:	mm
Standard Height:	30 mm	Optional Height:	mm
Std.bottom cover thickness:	(X)	Std.bottom cover thickness:	(X)

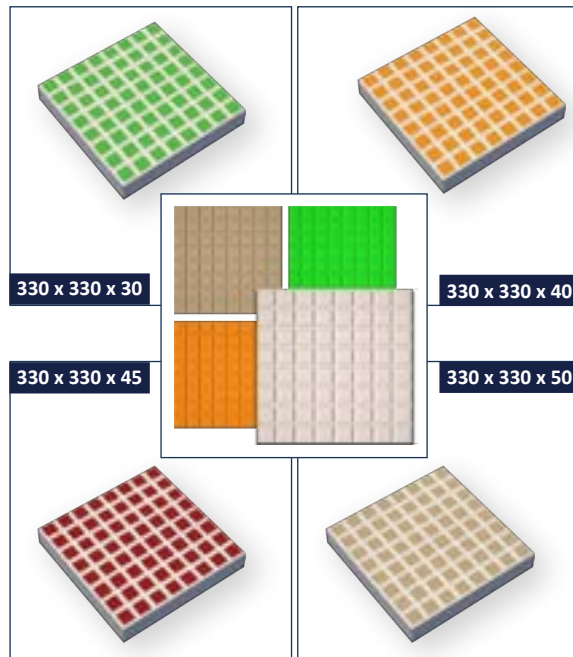


KR-KARE - PAVING SLAB
STANDARD: 330 x 330 x 30 mm

www.megamoulds.com



THICKNESSES



330 x 330 x 30

330 x 330 x 40

330 x 330 x 45

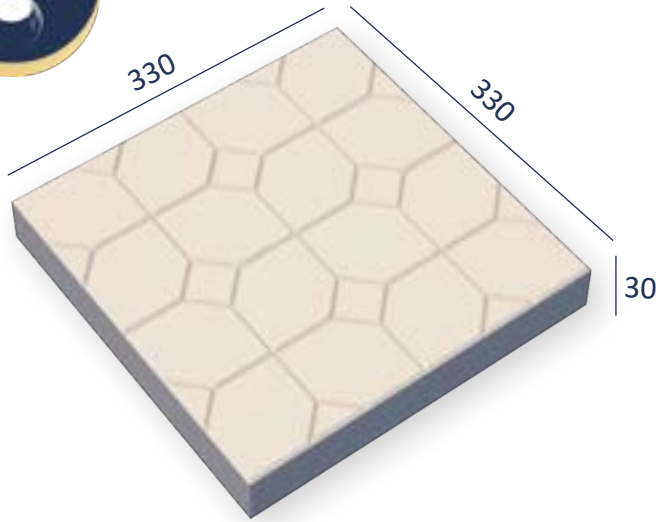
330 x 330 x 50

MEASUREMENTS

Standard Length:	330 mm	Optional Length:	mm
Standard Width:	330 mm	Optional Width:	mm
Standard Height:	30 mm	Optional Height:	mm
Std.bottom cover thickness:	(X)	Std.bottom cover thickness:	(X)

+90 545 347 17 61
 +90 542 359 67 62
 +90 542 359 67 50
 +90 542 359 67 37
 +90 542 359 67 65
 +90 542 359 67 92

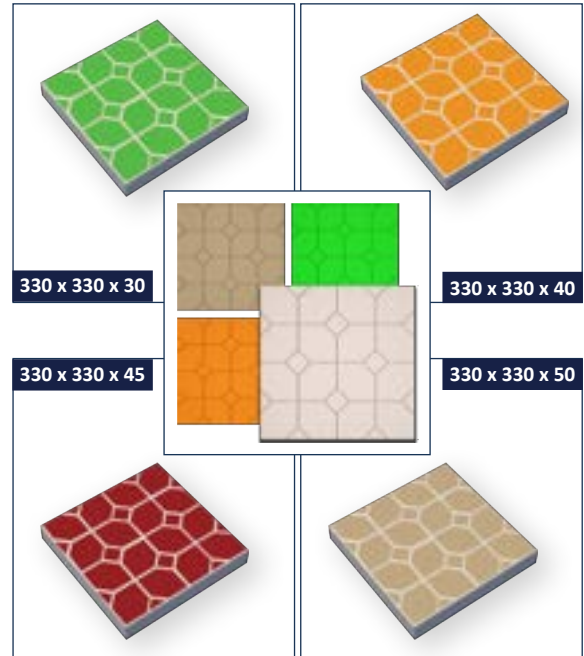
080



KR-MANASTIR - PAVING SLAB
STANDARD: 330 x 330 x 30 mm

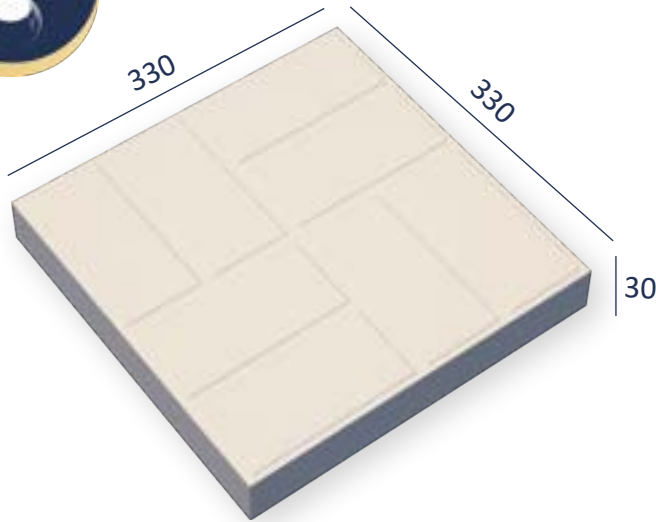


THICKNESSES



MEASUREMENTS

Standard Length:	330 mm	Optional Length:	mm
Standard Width:	330 mm	Optional Width:	mm
Standard Height:	30 mm	Optional Height:	mm
Std.bottom cover thickness:	(X)	Std.bottom cover thickness:	(X)



THICKNESSES



MEASUREMENTS

Standard Length:	330 mm	Optional Length:	mm
Standard Width:	330 mm	Optional Width:	mm
Standard Height:	30 mm	Optional Height:	mm
Std.bottom cover thickness:	(X)	Std.bottom cover thickness:	(X)

KR-NEMRUT - PAVING SLAB

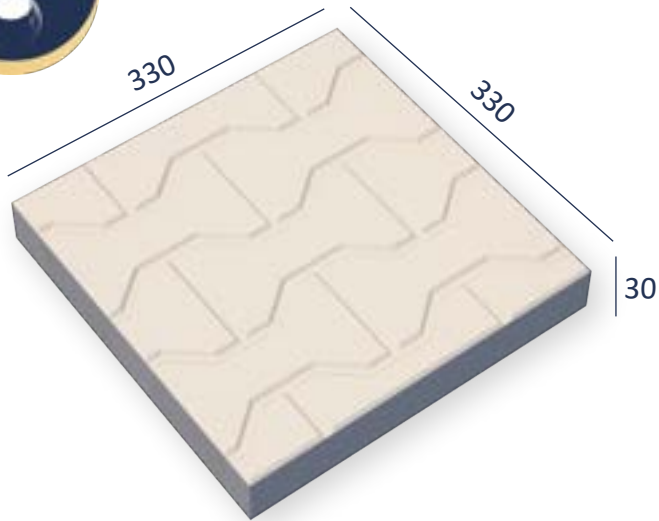
STANDARD: 330 x 330 x 30 mm



www.megamoulds.com

+90 545 347 17 61
 +90 542 359 67 62
 +90 542 359 67 50
 +90 542 359 67 37
 +90 542 359 67 65
 +90 542 359 67 92

082

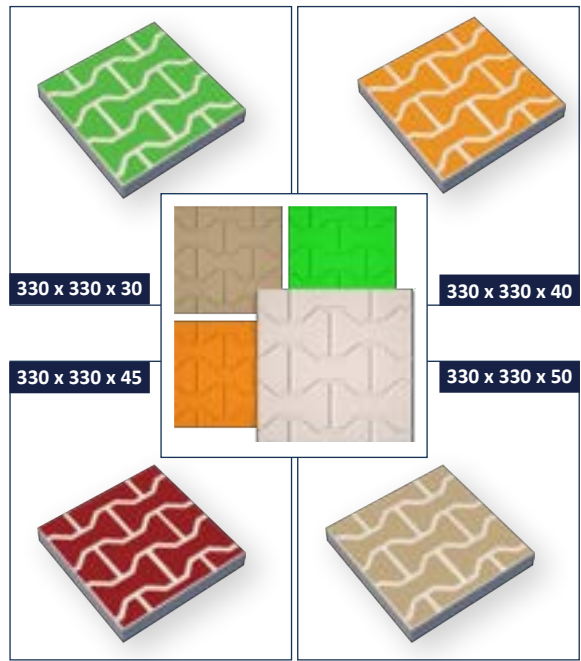


KR-PARKE - PAVING SLAB

STANDARD: 330 x 330 x 30 mm

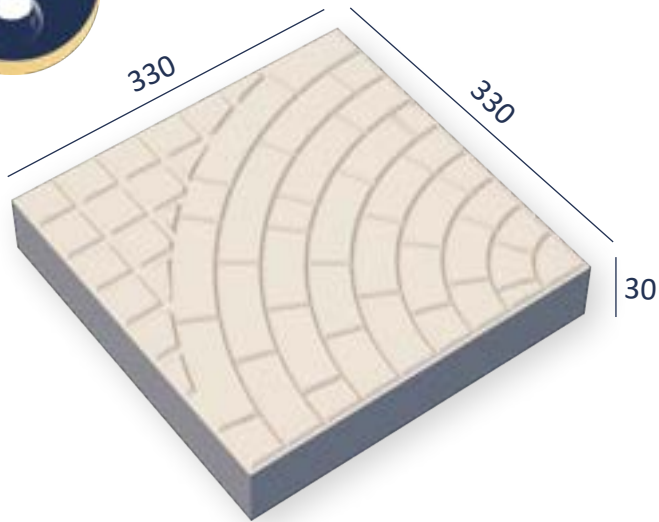


THICKNESSES



MEASUREMENTS

Standard Length:	330 mm	Optional Length:mm
Standard Width:	330 mm	Optional Width:mm
Standard Height:	30 mm	Optional Height:mm
Std.bottom cover thickness:	(X)	Std.bottom cover thickness:	(X)

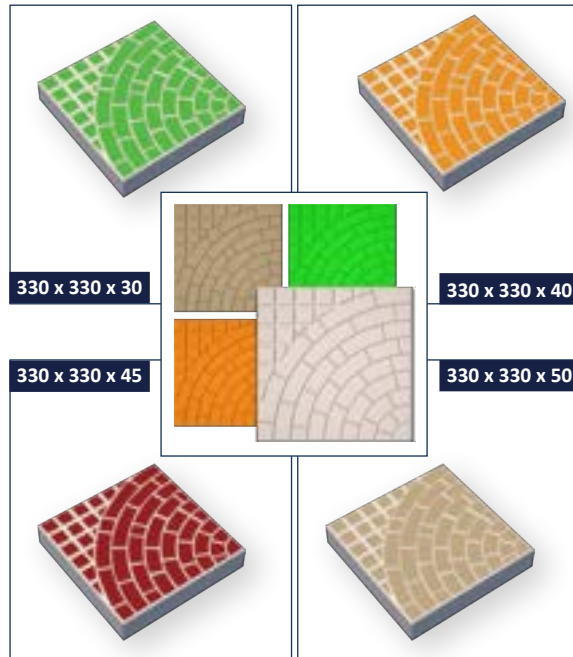


KR-PERGOMON - PAVING SLAB
STANDARD: 330 x 330 x 30 mm



www.megamoulds.com

THICKNESSES



330 x 330 x 30

330 x 330 x 40

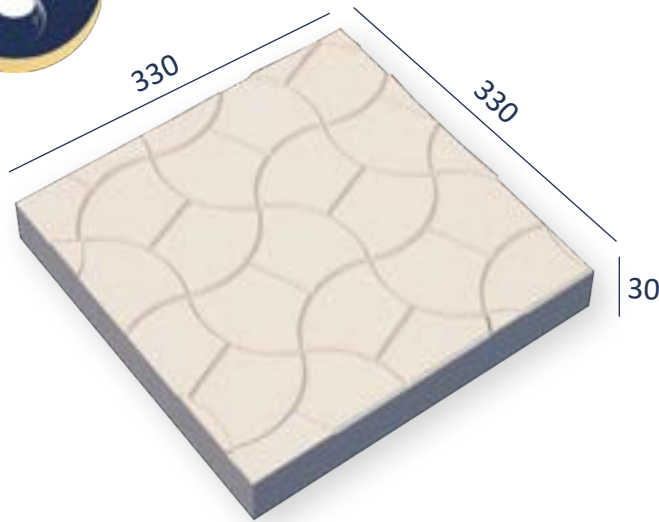
330 x 330 x 45

330 x 330 x 50

MEASUREMENTS

Standard Length:	330 mm	Optional Length:	mm
Standard Width:	330 mm	Optional Width:	mm
Standard Height:	30 mm	Optional Height:	mm
Std.bottom cover thickness:	(X)	Std.bottom cover thickness:	(X)

+90 545 347 17 61
 +90 542 359 67 62
 +90 542 359 67 50
 +90 542 359 67 37
 +90 542 359 67 65
 +90 542 359 67 92



KR-PRIENE - PAVING SLAB

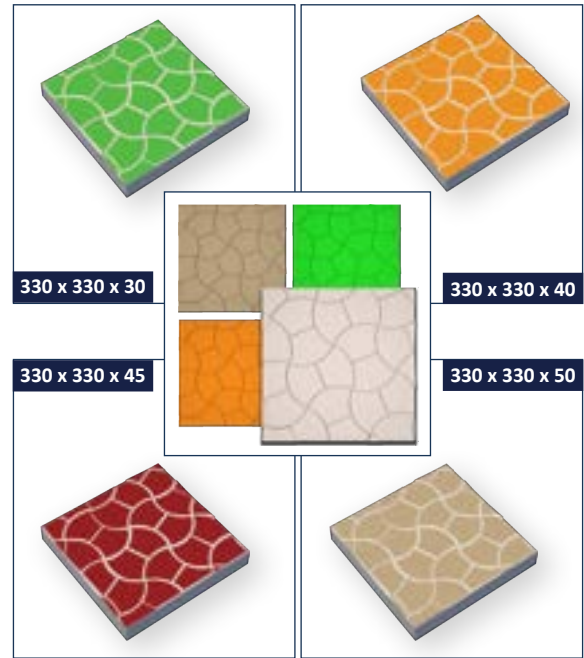
STANDARD: 330 x 330 x 30 mm



www.megamoulds.com

085

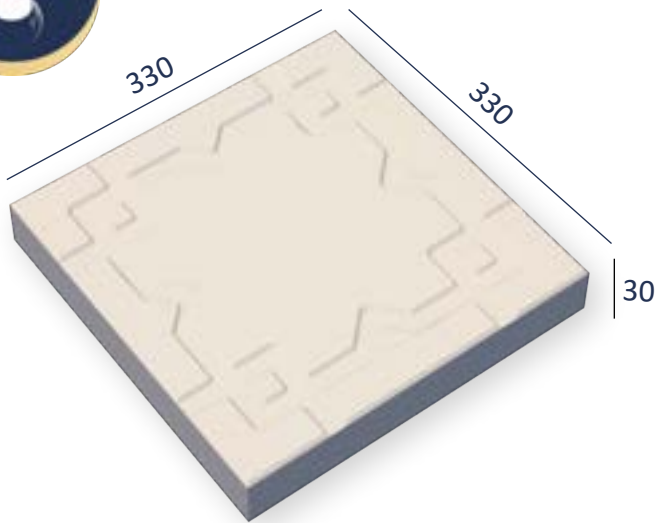
THICKNESSES



MEASUREMENTS

Standard Length:	330 mm	Optional Length:	mm
Standard Width:	330 mm	Optional Width:	mm
Standard Height:	30 mm	Optional Height:	mm
Std. bottom cover thickness:	(X)	Std. bottom cover thickness:	(X)

+90 545 347 17 61
 +90 542 359 67 62
 +90 542 359 67 50
 +90 542 359 67 37
 +90 542 359 67 65
 +90 542 359 67 92



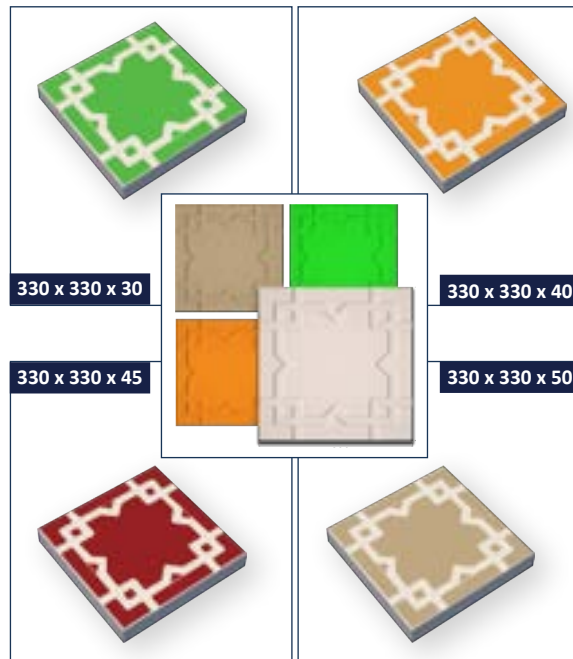
KR-ZEUGMA - PAVING SLAB

STANDARD: 330 x 330 x 30 mm



www.megamoulds.com

THICKNESSES



MEASUREMENTS

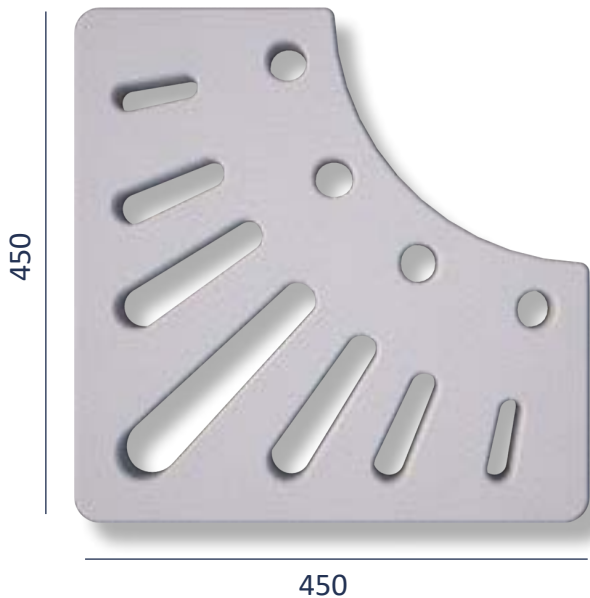
Standard Length:	330 mm	Optional Length:	mm
Standard Width:	330 mm	Optional Width:	mm
Standard Height:	30 mm	Optional Height:	mm
Std.bottom cover thickness:	(X)	Std.bottom cover thickness:	(X)

+90 545 347 17 61
 +90 542 359 67 62
 +90 542 359 67 50
 +90 542 359 67 37
 +90 542 359 67 65
 +90 542 359 67 92

086



CONCRETE DRAINAGE BLOCK MOULD SAMPLES



BRD - 218 / DRAINAGE BLOCK

STANDARD: 450 x 450 x 50 mm

www.megamoulds.com



THICKNESSES



450 x 450 x 50



450 x 450 x 60



450 x 450 x 80



450 x 450 x 100

MEASUREMENTS

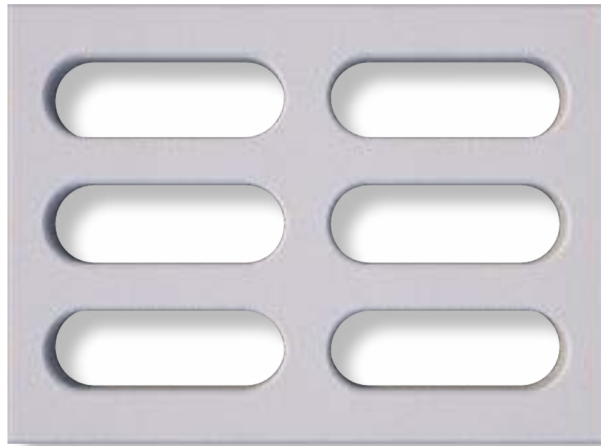
Standard Length:	450 mm	Optional Length:mm
Standard Width:	450 mm	Optional Width:mm
Standard Height:	50 mm	Optional Height:mm
Std.bottom cover thickness:	(X)	Std.bottom cover thickness:	(X)

+90 545 347 17 61
 +90 542 359 67 62
 +90 542 359 67 50
 +90 542 359 67 37
 +90 542 359 67 65
 +90 542 359 67 92

087

450

330

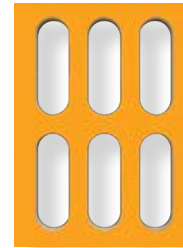


BRD - 231 / DRAINAGE BLOCK

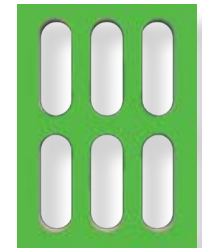
STANDARD: 450 x 330 x 50 mm



THICKNESSES

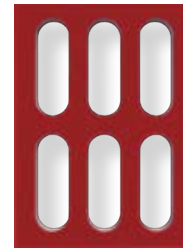


450 x 330 x 50

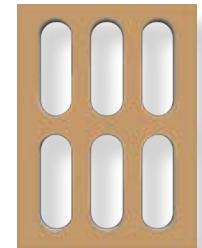


450 x 330 x 60

450 x 330 x 80



450 x 330 x 100



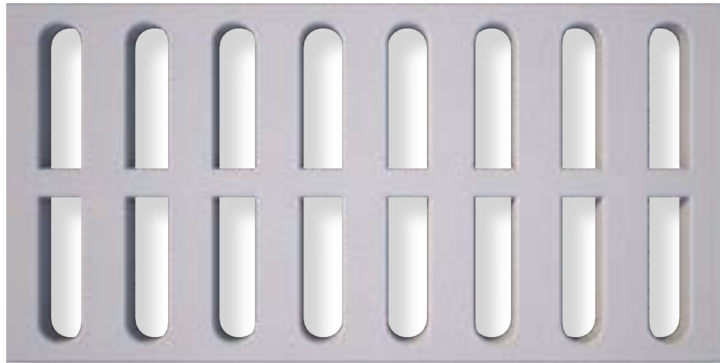
MEASUREMENTS

Standard Length:	450 mm	Optional Length:	mm
Standard Width:	330 mm	Optional Width:	mm
Standard Height:	50 mm	Optional Height:.....	mm
Std.bottom cover thickness:	(X)	Std.bottom cover thickness:	(X)

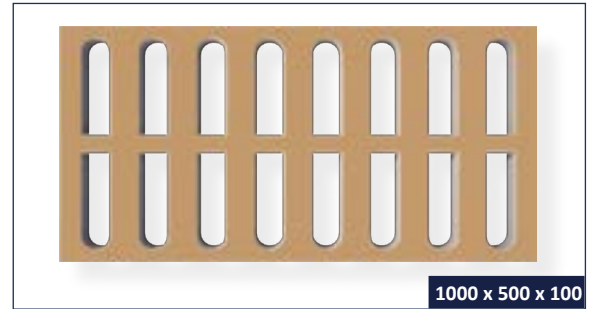
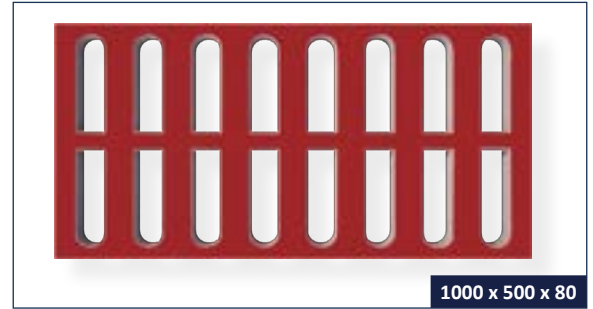


1000

500



THICKNESSES



MEASUREMENTS

Standard Length:	1000 mm	Optional Length:	mm
Standard Width:	500 mm	Optional Width:	mm
Standard Height:	80 mm	Optional Height:.....	mm
Std.bottom cover thickness:	(X)	Std.bottom cover thickness:	(X)

I - 003 / DRAINAGE BLOCK

STANDARD: 1000 x 500 x 80 mm



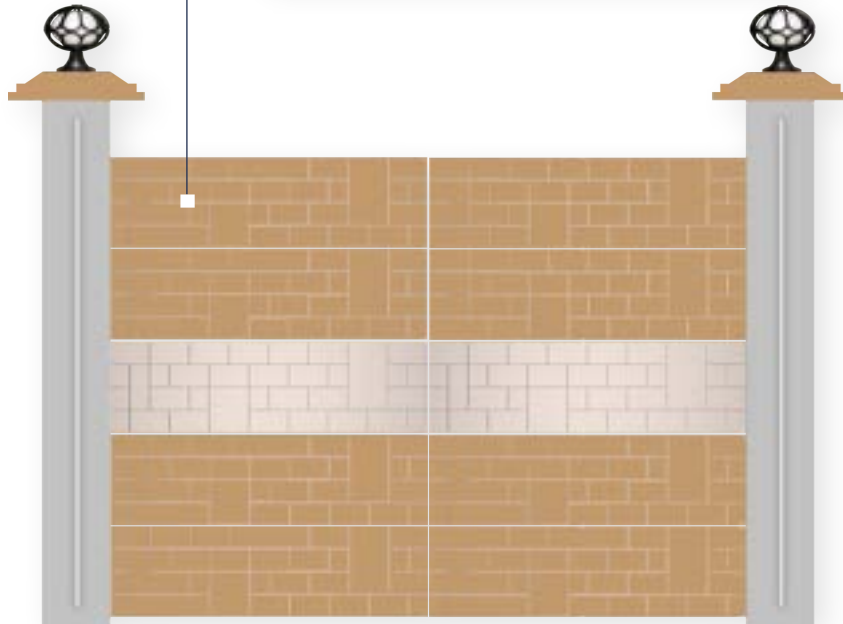
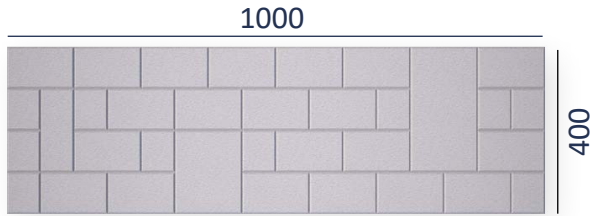
www.megamoulds.com

+90 545 347 17 61
 +90 542 359 67 62
 +90 542 359 67 50
 +90 542 359 67 37
 +90 542 359 67 65
 +90 542 359 67 92

080



CONCRETE PATTERNED FENCE WALL PANEL MOULD SAMPLES



DP - PATTERNED WALL PANEL MD-1

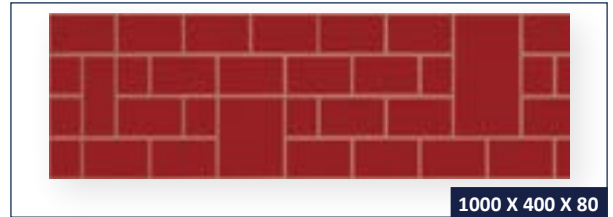
STANDARD: 1000 x 400 x 60 mm



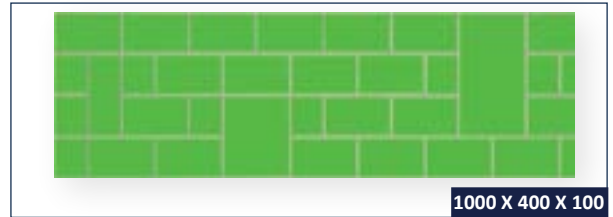
THICKNESSES



1000 X 400 X 60



1000 X 400 X 80



1000 X 400 X 100

MEASUREMENTS

Standard Length:	1000 mm	Optional Length:mm
Standard Width:	400 mm	Optional Width:mm
Standard Height:	60 mm	Optional Height:mm
Std.bottom cover thickness:	(X)	Std.bottom cover thickness:	(X)

www.megamoulds.com

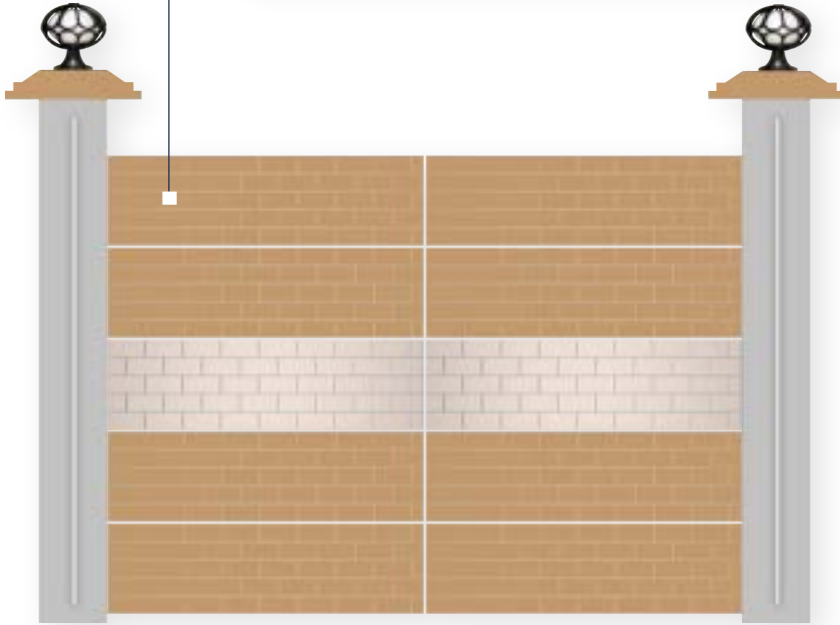
+90 545 347 17 61
 +90 542 359 67 62
 +90 542 359 67 50
 +90 542 359 67 37
 +90 542 359 67 65
 +90 542 359 67 92

060



1000

400



THICKNESSES



1000 X 400 X 60



1000 X 400 X 80



1000 X 400 X 100

MEASUREMENTS

Standard Length:	1000 mm	Optional Length:	mm
Standard Width:	400 mm	Optional Width:	mm
Standard Height:	60 mm	Optional Height:.....	mm
Std.bottom cover thickness:	(X)	Std.bottom cover thickness:	(X)

DP - PATTERNED WALL PANEL MD-2

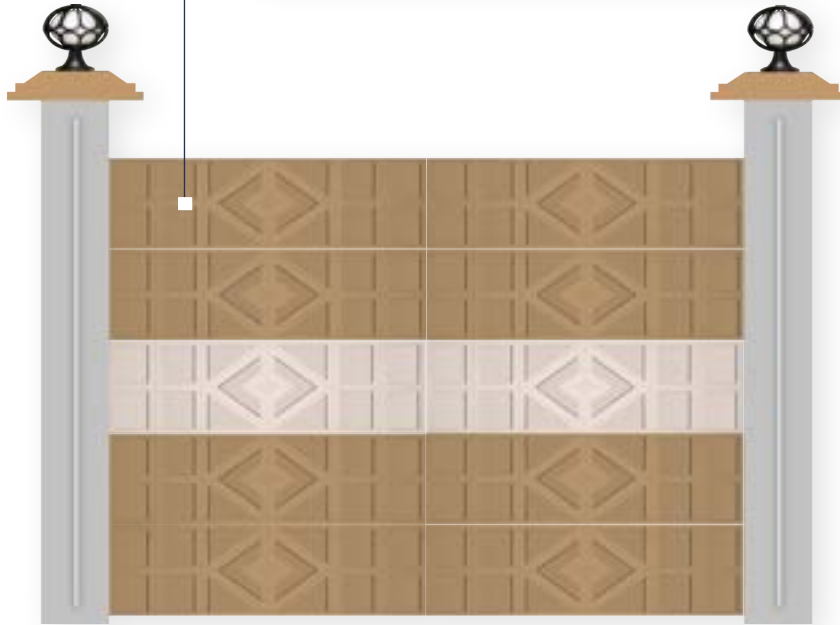
STANDARD: 1000 x 400 x 60 mm





1000

400



DP - PATTERNED WALL PANEL MD-3

STANDARD: 1000 x 400 x 60 mm



THICKNESSES



MEASUREMENTS

Standard Length:	1000 mm	Optional Length:mm
Standard Width:	400 mm	Optional Width:mm
Standard Height:	60 mm	Optional Height:mm
Std.bottom cover thickness:	(X)	Std.bottom cover thickness:	(X)

www.megamoulds.com

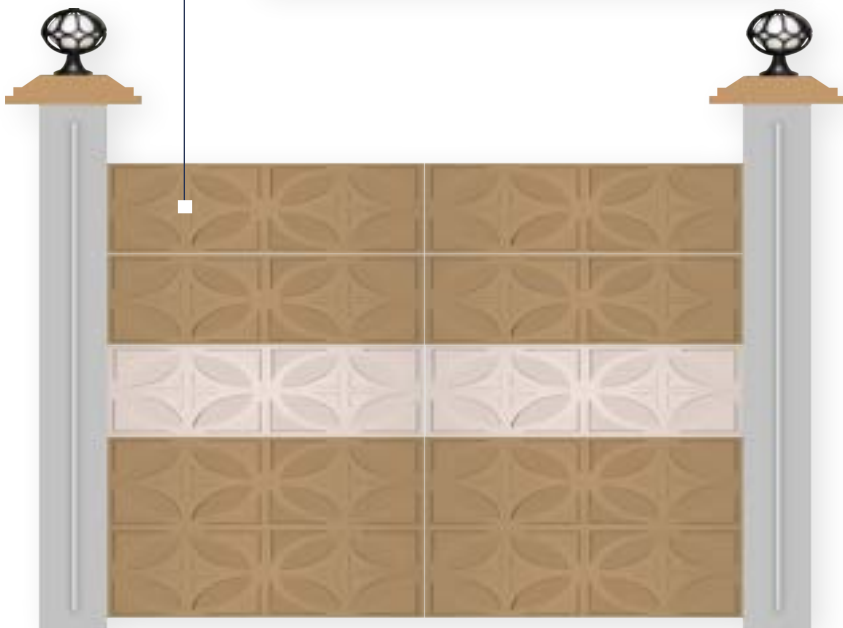
+90 545 347 17 61
 +90 542 359 67 62
 +90 542 359 67 50
 +90 542 359 67 37
 +90 542 359 67 65
 +90 542 359 67 92



1000



400



DP -PATTERNED WALL PANEL MD - 4
STANDARD: 1000 x 400 x 60 mm



www.megamoulds.com

THICKNESSES



1000 X 400 X 60



1000 X 400 X 80



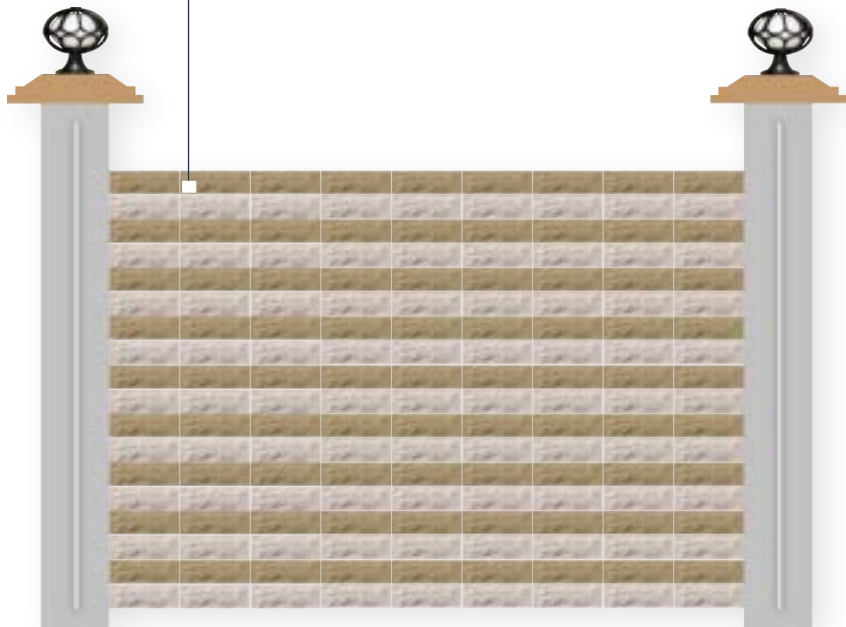
1000 X 400 X 100

MEASUREMENTS

Standard Length:	1000 mm	Optional Length:mm
Standard Width:	400 mm	Optional Width:mm
Standard Height:	60 mm	Optional Height:mm
Std.bottom cover thickness:	(X)	Std.bottom cover thickness:	(X)



ROUGH FACE CONCRETE WALL PANEL MOULD SAMPLES



390

90

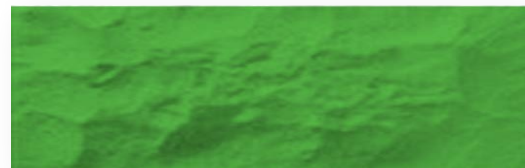
THICKNESSES



390 X 90 X 25



390 X 90 X 30



390 X 90 X 35

MEASUREMENTS

Standard Length:	390 mm	Optional Length:	mm
Standard Width:	90 mm	Optional Width:	mm
Standard Height:	25 mm	Optional Height:	mm
Std.bottom cover thickness:	(X)	Std.bottom cover thickness:	(X)

YP - ROUGH FACE WALL PANEL MD - 1

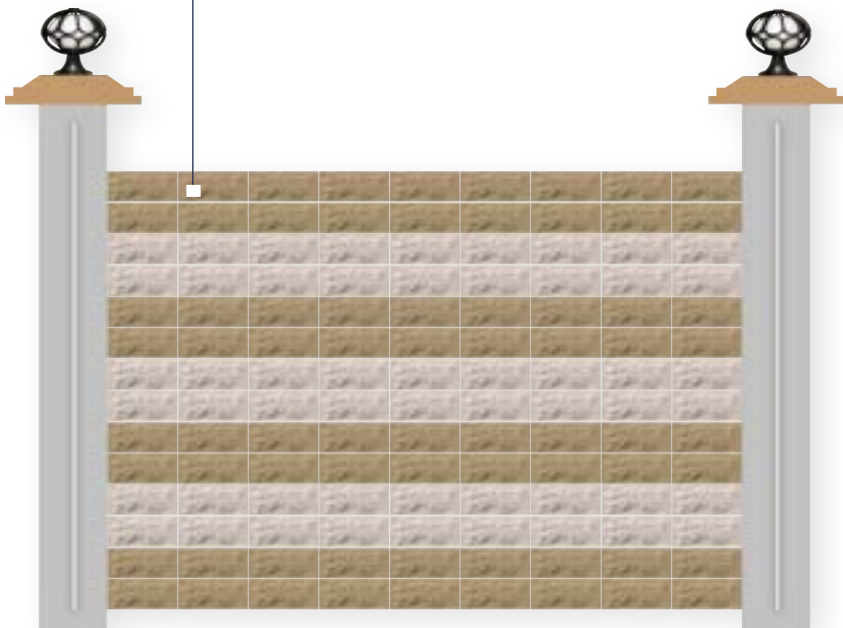
STANDARD: 390 x 90 x 25 mm





190

90



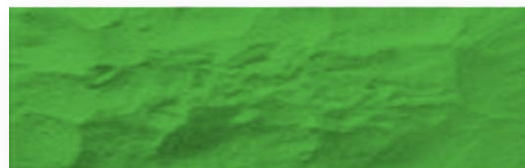
THICKNESSES



190 X 90 X 25



190 X 90 X 30



190 X 90 X 35

MEASUREMENTS

Standard Length:	190 mm	Optional Length:	mm
Standard Width:	90 mm	Optional Width:	mm
Standard Height:	25 mm	Optional Height:.....	mm
Std.bottom cover thickness:	(X)	Std.bottom cover thickness:	(X)

YP - ROUGH FACE WALL PANEL MD - 2

STANDARD: 190 x 90 x 25 mm



www.megamoulds.com

+90 545 347 17 61
 +90 542 359 67 62
 +90 542 359 67 50
 +90 542 359 67 37
 +90 542 359 67 65
 +90 542 359 67 92

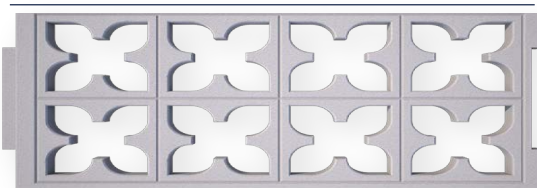
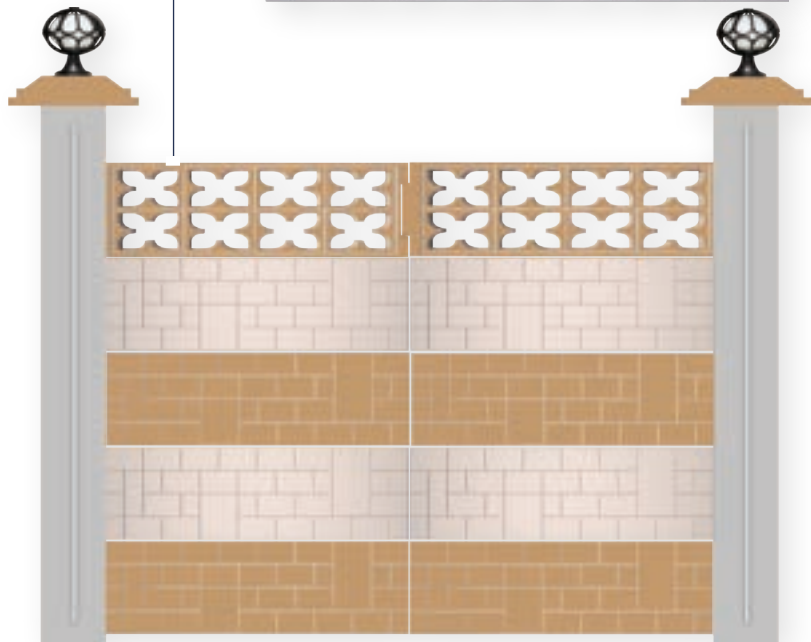
060



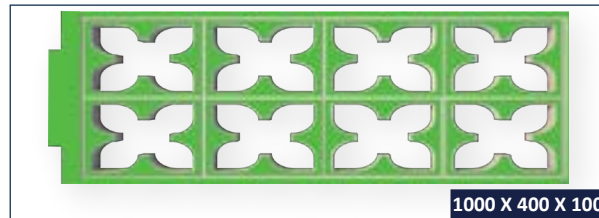
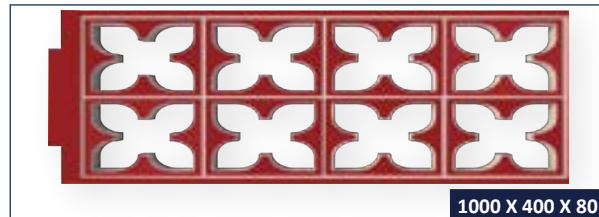
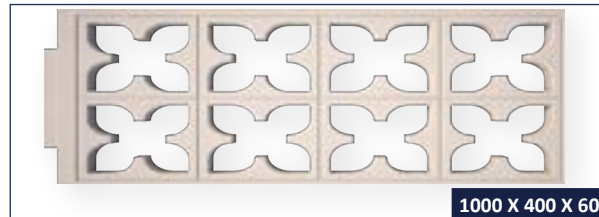
CONCRETE GARDEN WALL MOULD SAMPLES

1000

400



THICKNESSES



MEASUREMENTS

Standard Length:	1000 mm	Optional Length:	mm
Standard Width:	400 mm	Optional Width:	mm
Standard Height:	60 mm	Optional Height:.....	mm
Std.bottom cover thickness:	(X)	Std.bottom cover thickness:	(X)

BD - YONCA / GARDEN WALL

STANDARD: 1000 X 400 X 60 mm

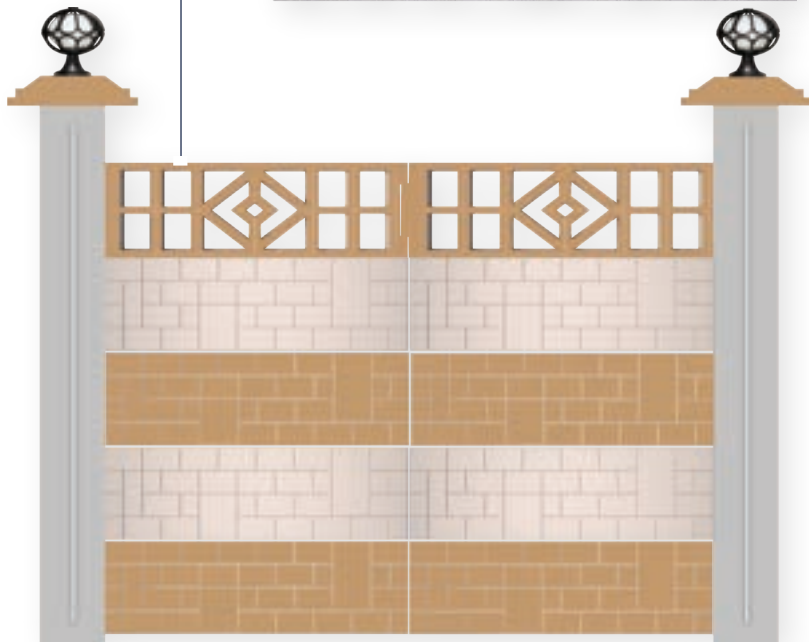
www.megamoulds.com





1000

400

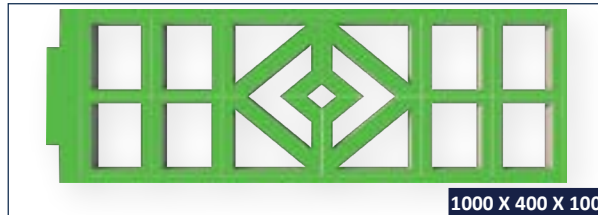
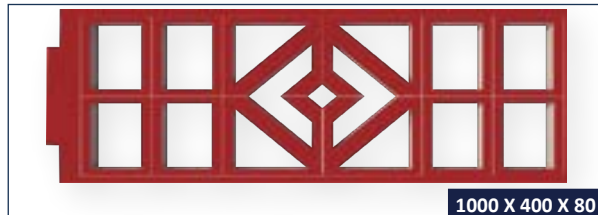
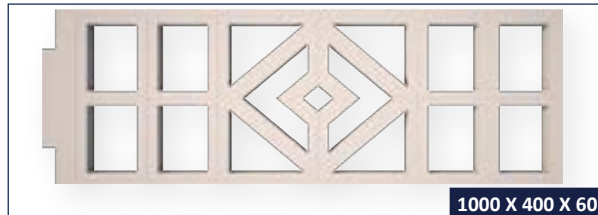


BD - PRIZMA / GARDEN WALL
 STANDARD: 1000 X 400 X 60 mm



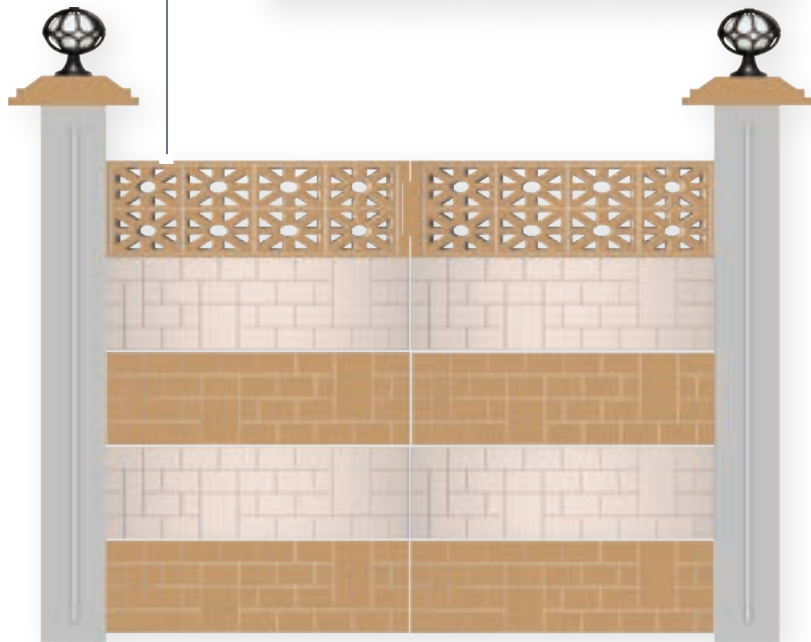
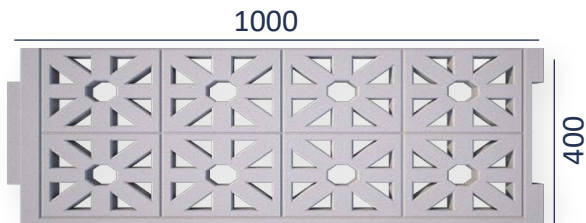
www.megamoulds.com

THICKNESSES

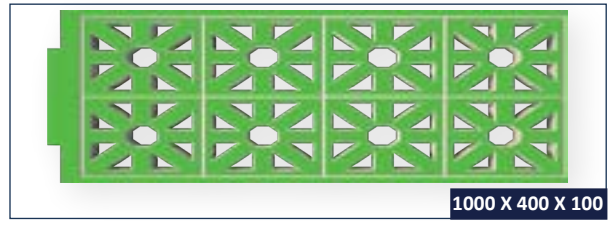
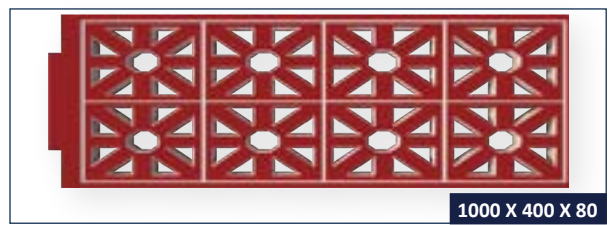
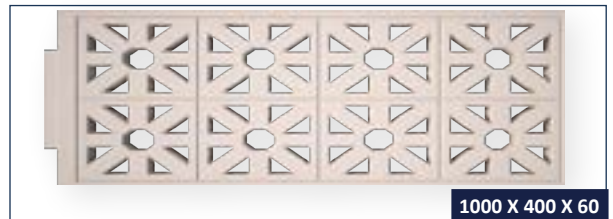


MEASUREMENTS

Standard Length:	1000 mm	Optional Length:	mm
Standard Width:	400 mm	Optional Width:	mm
Standard Height:	60 mm	Optional Height:	mm
Std.bottom cover thickness:	(X)	Std.bottom cover thickness:	(X)



THICKNESSES



MEASUREMENTS

Standard Length:	1000 mm	Optional Length:	mm
Standard Width:	400 mm	Optional Width:	mm
Standard Height:	60 mm	Optional Height:.....	mm
Std.bottom cover thickness:	(X)	Std.bottom cover thickness:	(X)

BD - OSMANLI / GARDEN WALL
STANDARD: 1000 X 400 X 60 mm

www.megamoulds.com



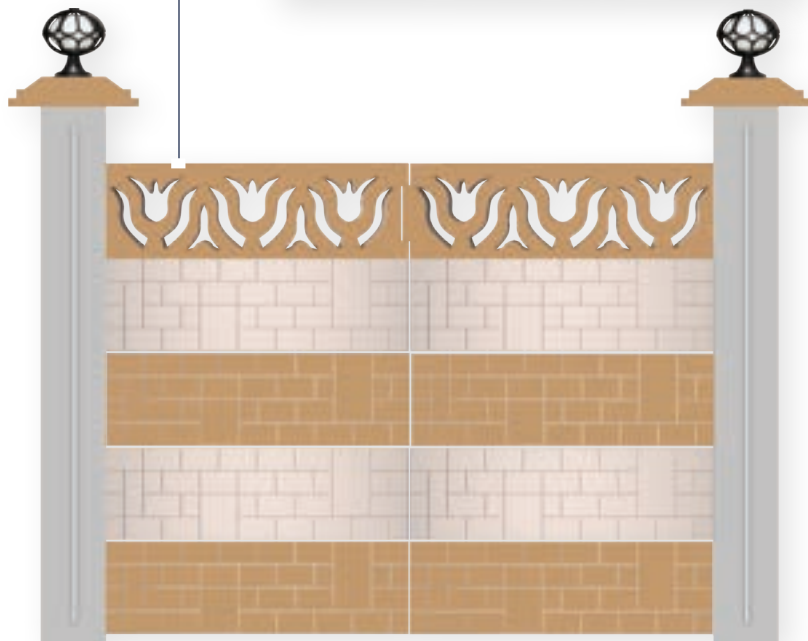
+90 545 347 17 61
 +90 542 359 67 62
 +90 542 359 67 50
 +90 542 359 67 37
 +90 542 359 67 65
 +90 542 359 67 92

090



1000

400

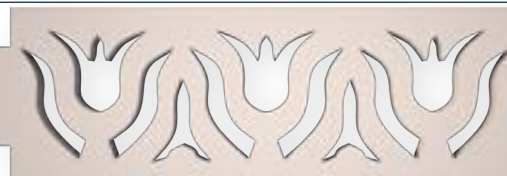


BD - LALE / GARDEN WALL

STANDARD: 1000 X 400 X 60 mm



THICKNESSES



1000 X 400 X 60



1000 X 400 X 80



1000 X 400 X 100

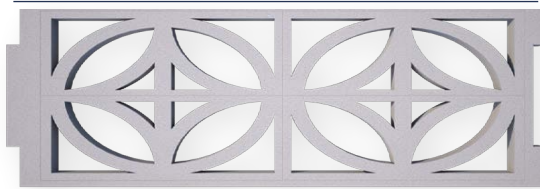
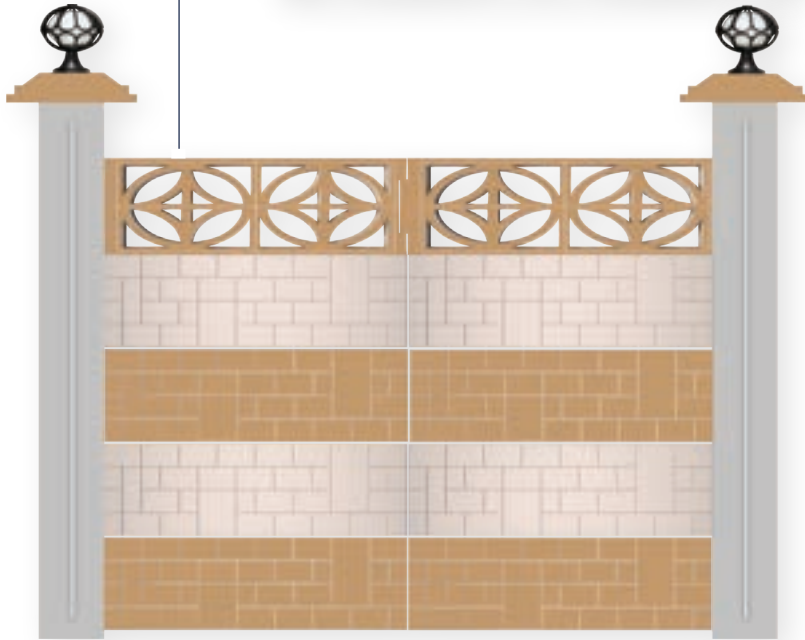
MEASUREMENTS

Standard Length:	1000 mm	Optional Length:mm
Standard Width:	400 mm	Optional Width:mm
Standard Height:	60 mm	Optional Height:mm
Std.bottom cover thickness:	(X)	Std.bottom cover thickness:	(X)

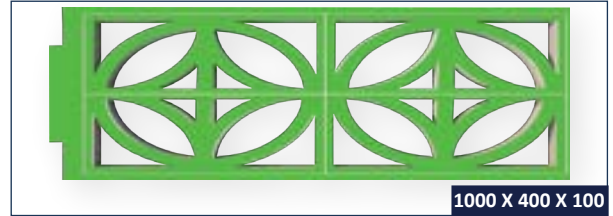


1000

400



THICKNESSES



MEASUREMENTS

Standard Length:	1000 mm	Optional Length:	mm
Standard Width:	400 mm	Optional Width:	mm
Standard Height:	60 mm	Optional Height:.....	mm
Std.bottom cover thickness:	(X)	Std.bottom cover thickness:	(X)

BD - HILAL / GARDEN WALL
 STANDARD: 1000 X 400 X 60 mm



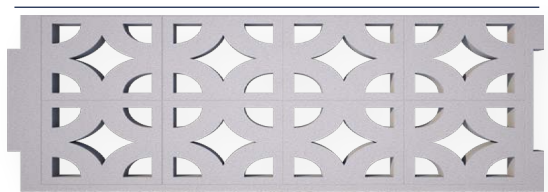
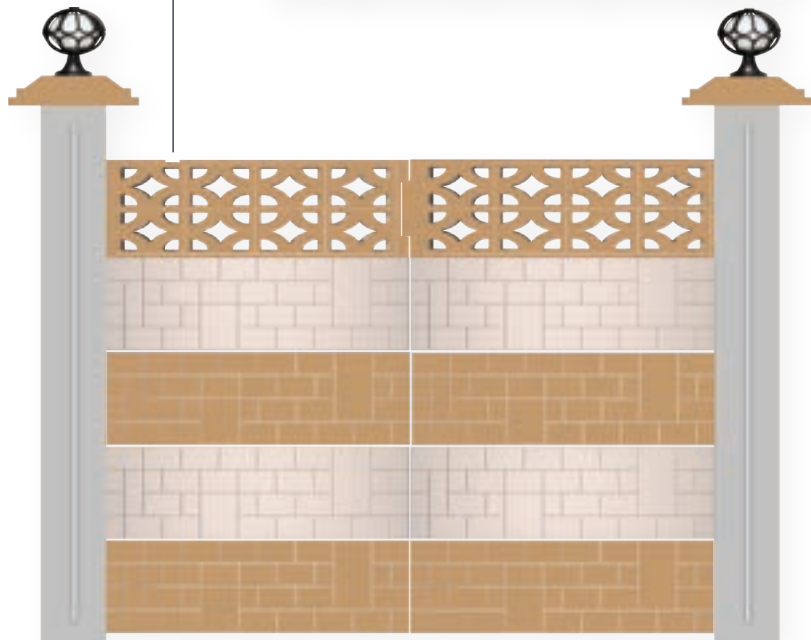
www.megamoulds.com

+90 545 347 17 61
 +90 542 359 67 62
 +90 542 359 67 50
 +90 542 359 67 37
 +90 542 359 67 65
 +90 542 359 67 92

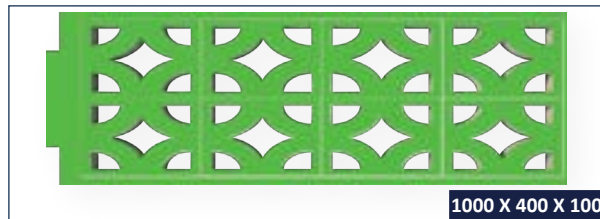
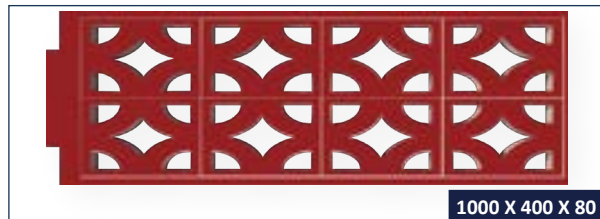


1000

400



THICKNESSES



MEASUREMENTS

Standard Length:	1000 mm	Optional Length:	mm
Standard Width:	400 mm	Optional Width:	mm
Standard Height:	60 mm	Optional Height:	mm
Std.bottom cover thickness:	(X)	Std.bottom cover thickness:	(X)

BD - ELIPS / GARDEN WALL

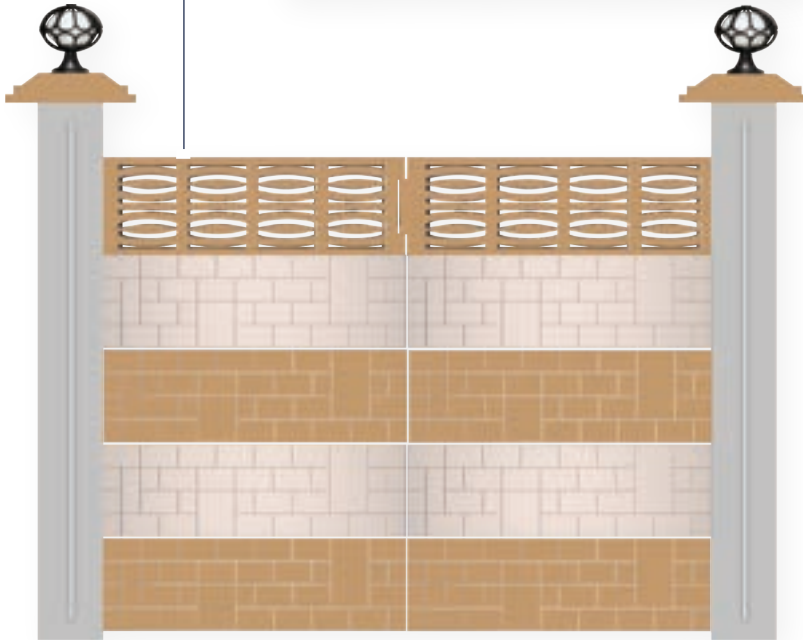
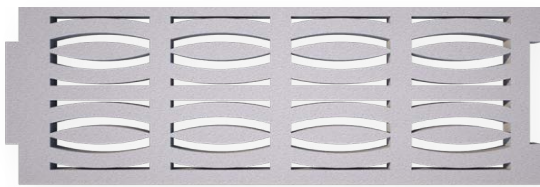
STANDARD: 1000 X 400 X 60 mm





1000

400

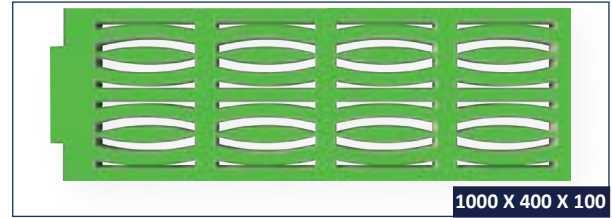
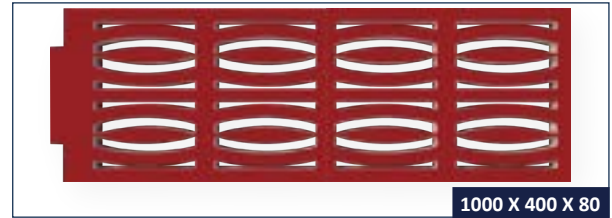
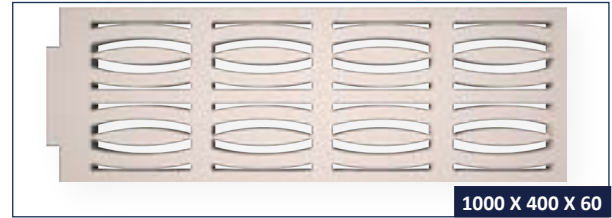


BD - LENS / GARDEN WALL

STANDARD: 1000 X 400 X 60 mm



THICKNESSES



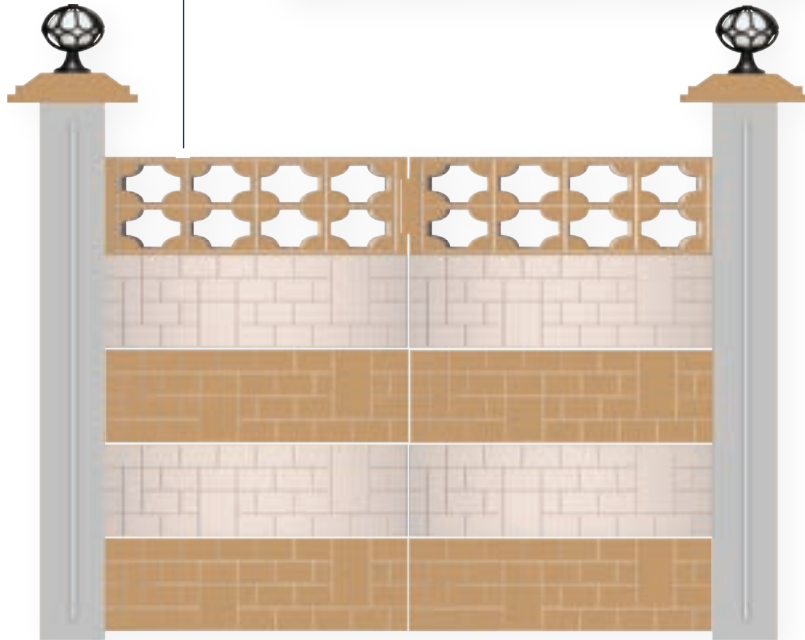
MEASUREMENTS

Standard Length:	1000 mm	Optional Length:	mm
Standard Width:	400 mm	Optional Width:	mm
Standard Height:	60 mm	Optional Height:	mm
Std.bottom cover thickness:	(X)	Std.bottom cover thickness:	(X)

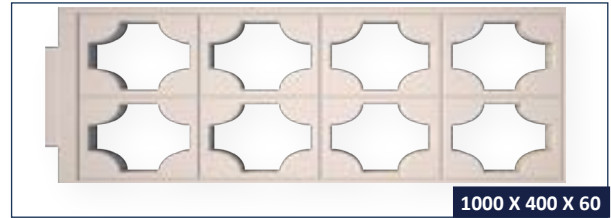


1000

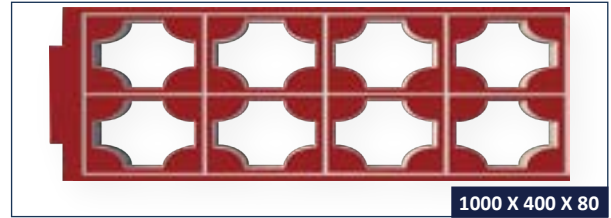
400



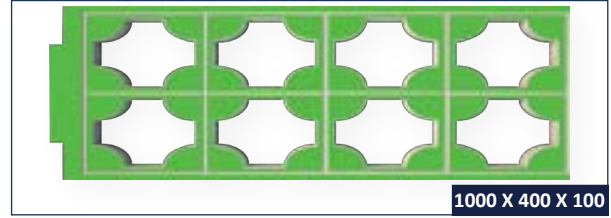
THICKNESSES



1000 X 400 X 60



1000 X 400 X 80



1000 X 400 X 100

MEASUREMENTS

Standard Length:	1000 mm	Optional Length:	mm
Standard Width:	400 mm	Optional Width:	mm
Standard Height:	60 mm	Optional Height:.....	mm
Std.bottom cover thickness:	(X)	Std.bottom cover thickness:	(X)

BD - CINAR / GARDEN WALL

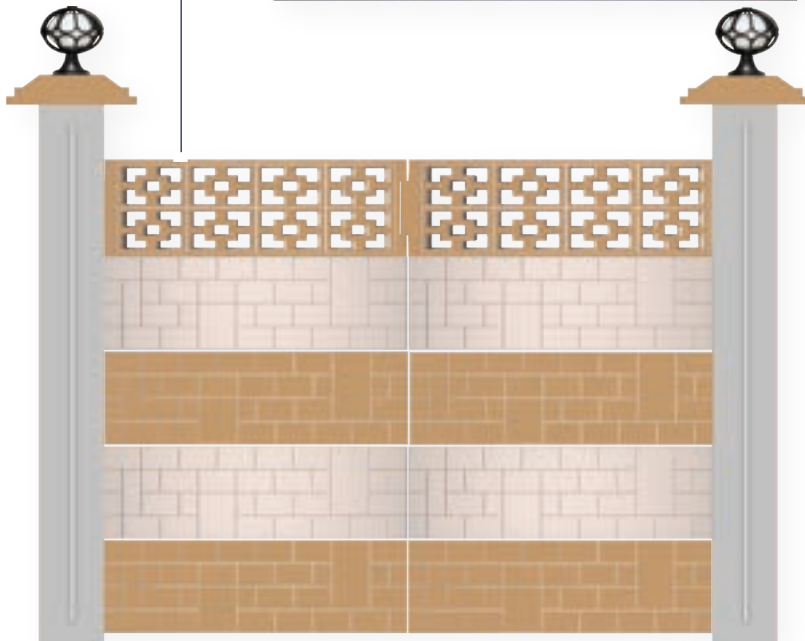
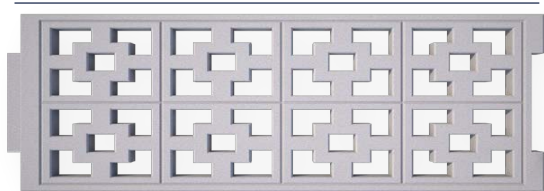
STANDARD: 1000 X 400 X 60 mm





1000

400

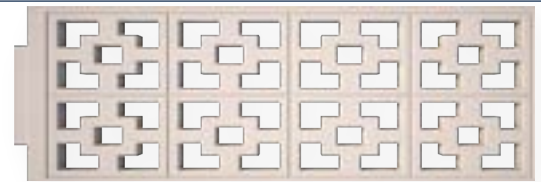


BD - KAFES / GARDEN WALL
 STANDARD: 1000 X 400 X 60 mm

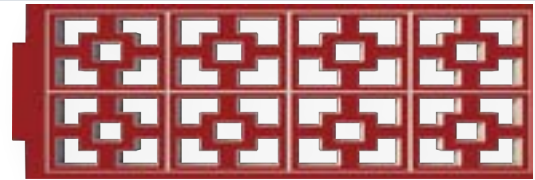
www.megamoulds.com



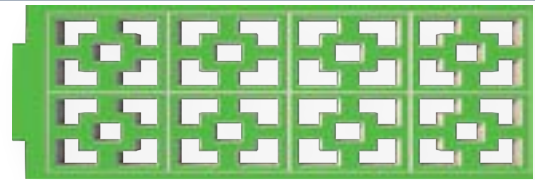
THICKNESSES



1000 X 400 X 60



1000 X 400 X 80

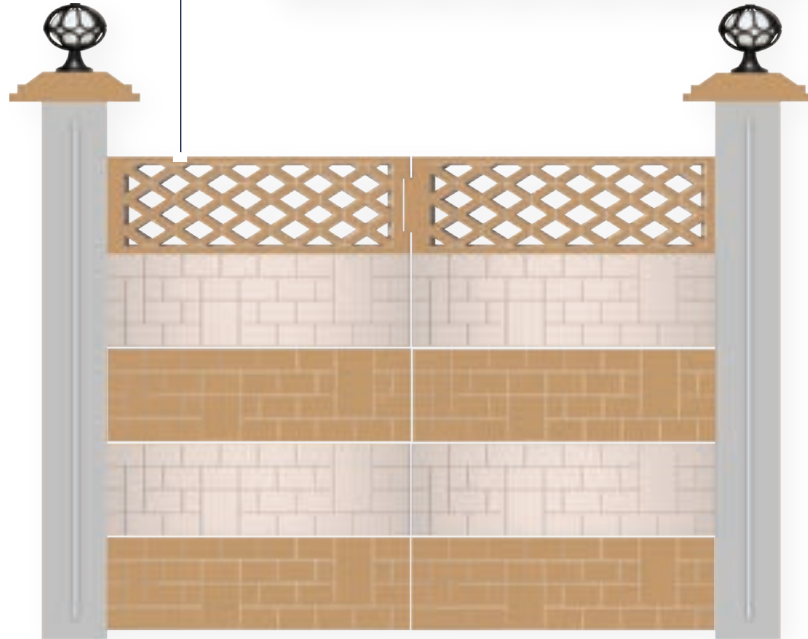


1000 X 400 X 100

MEASUREMENTS

Standard Length:	1000 mm	Optional Length:	mm
Standard Width:	400 mm	Optional Width:	mm
Standard Height:	60 mm	Optional Height:	mm
Std.bottom cover thickness:	(X)	Std.bottom cover thickness:	(X)

+90 545 347 17 61
 +90 542 359 67 62
 +90 542 359 67 50
 +90 542 359 67 37
 +90 542 359 67 65
 +90 542 359 67 92

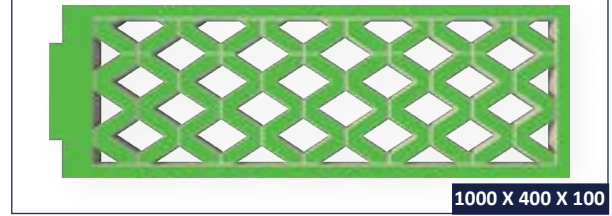
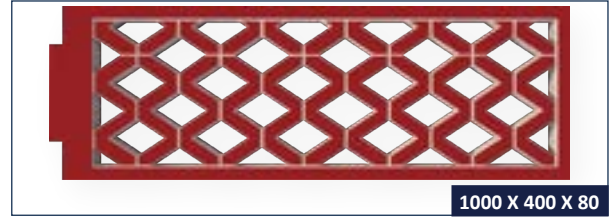


BD - BASAK / GARDEN WALL
 STANDARD: 1000 X 400 X 60 mm



www.megamoulds.com

THICKNESSES



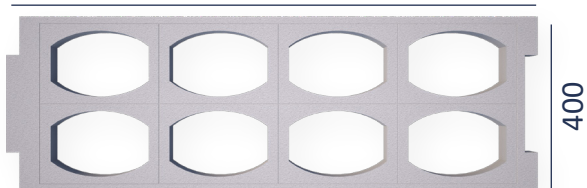
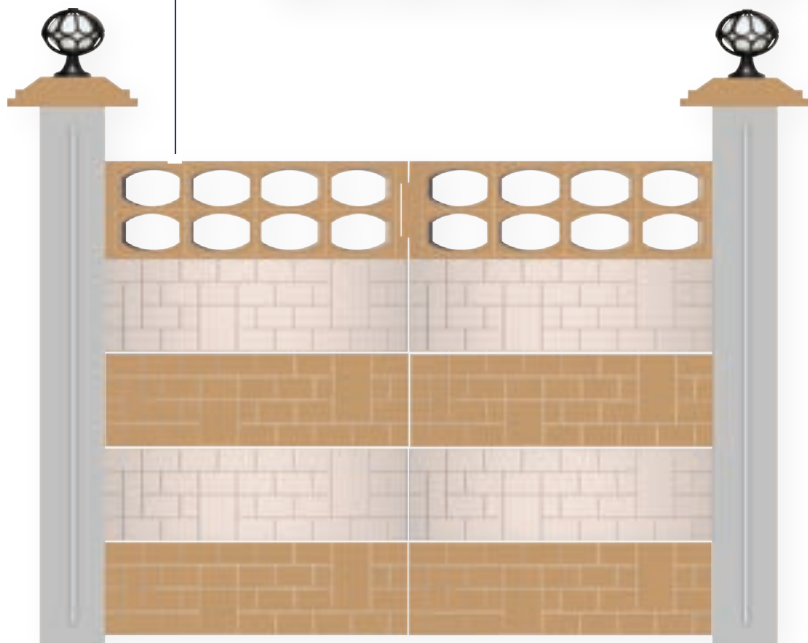
MEASUREMENTS

Standard Length:	1000 mm	Optional Length:	mm
Standard Width:	400 mm	Optional Width:	mm
Standard Height:	60 mm	Optional Height:.....	mm
Std.bottom cover thickness:	(X)	Std.bottom cover thickness:	(X)

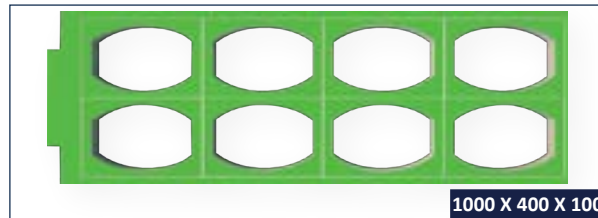
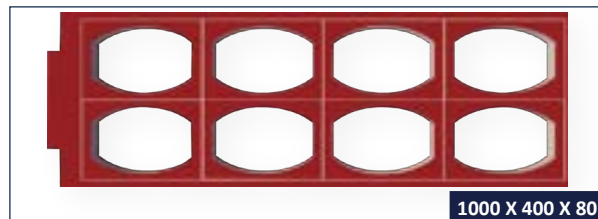
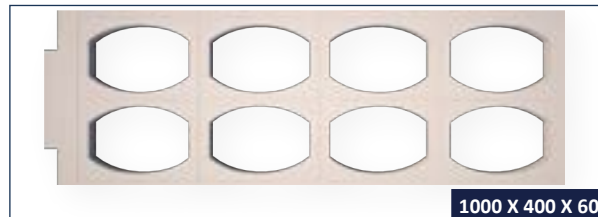


1000

400



THICKNESSES



MEASUREMENTS

Standard Length:	1000 mm	Optional Length:	mm
Standard Width:	400 mm	Optional Width:	mm
Standard Height:	60 mm	Optional Height:.....	mm
Std.bottom cover thickness:	(X)	Std.bottom cover thickness:	(X)

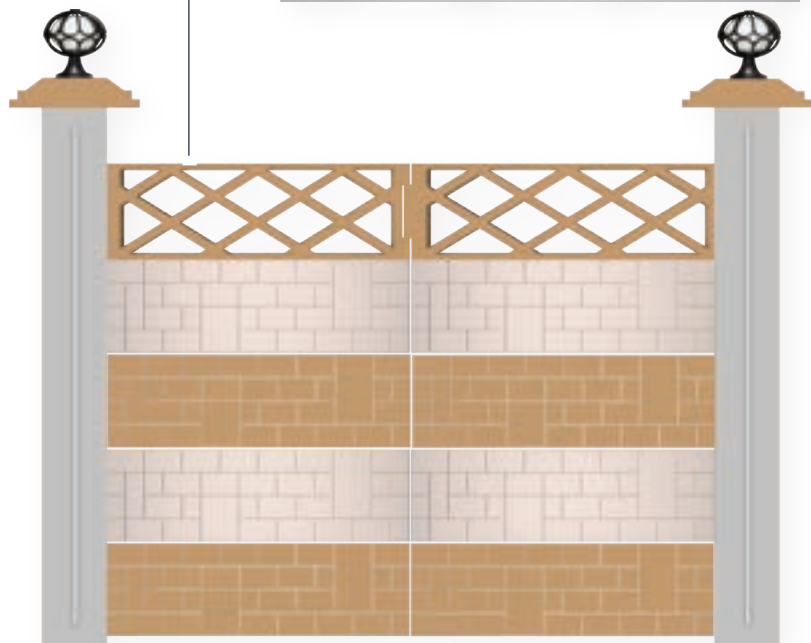
BD - PETEK / GARDEN WALL

STANDARD: 1000 X 400 X 60 mm

www.megamoulds.com



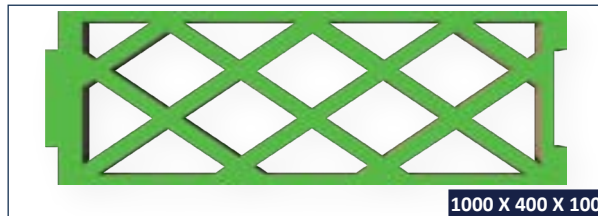
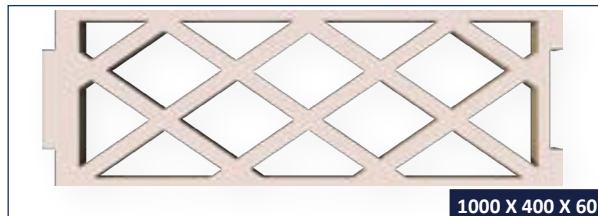
+90 545 347 17 61
 +90 542 359 67 62
 +90 542 359 67 50
 +90 542 359 67 37
 +90 542 359 67 65
 +90 542 359 67 92



1000

400

THICKNESSES



MEASUREMENTS

Standard Length:	1000 mm	Optional Length:	mm
Standard Width:	400 mm	Optional Width:	mm
Standard Height:	60 mm	Optional Height:	mm
Std.bottom cover thickness:	(X)	Std.bottom cover thickness:	(X)

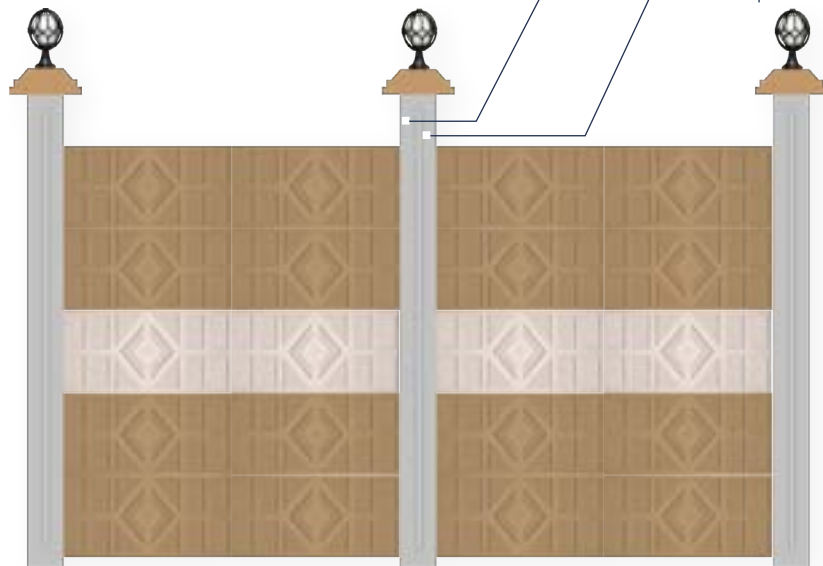
BD - ZUMRUT / GARDEN WALL

STANDARD: 1000 x 400 x 60 mm





CONCRETE GARDEN POLE MOULD SAMPLES

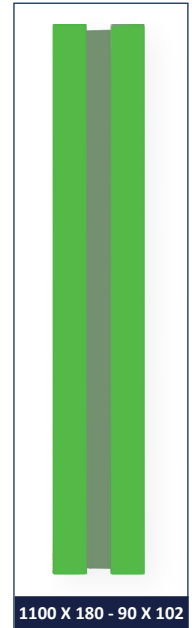
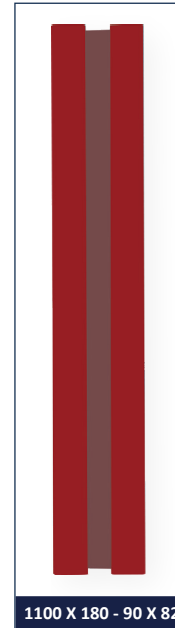
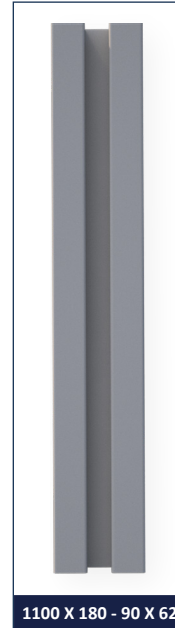


BRS - GARDEN POLE MD - 1

STANDARD: 1100 x 180 - 90 x 62 mm

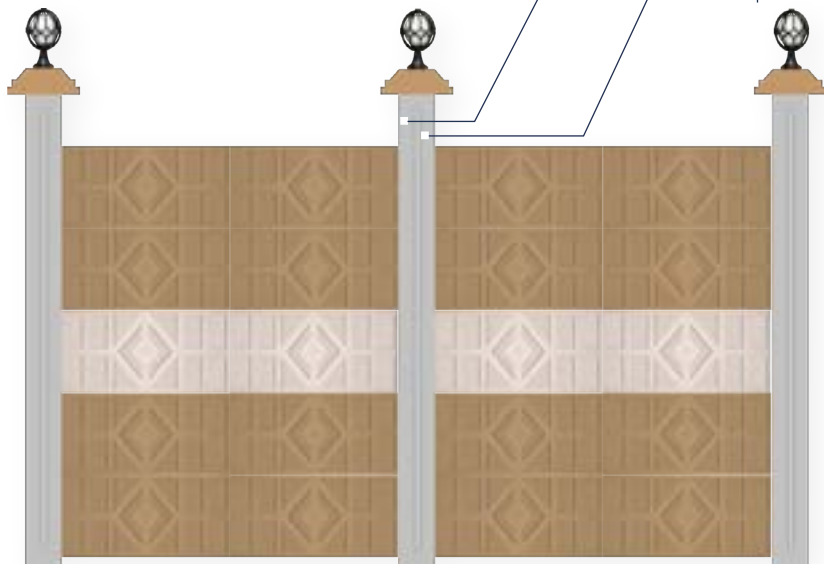
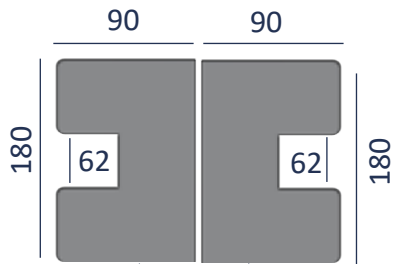


THICKNESSES



MEASUREMENTS

Standard Length:	1100 mm	Optional Length:	mm
Standard Width:	180 - 90 mm	Optional Width:	mm
Standard Height:	62 mm	Optional Height:	mm
Std.bottom cover thickness:	(X)	Std.bottom cover thickness:	(X)



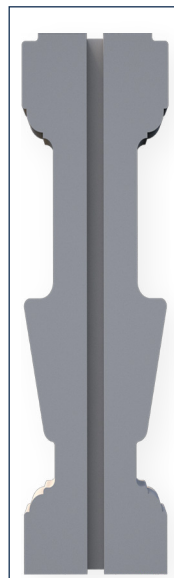
BRS - GARDEN POLE MD - 2

STANDARD: 1100 x 180 - 90 x 62 mm

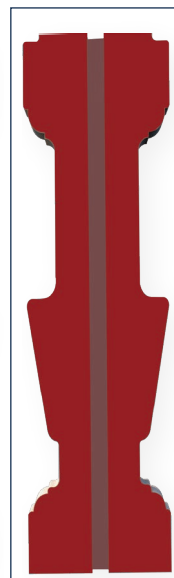


www.megamoulds.com

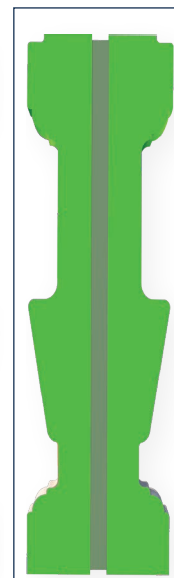
THICKNESSES



1100 X 180 - 90 X 62



1100 X 180 - 90 X 82



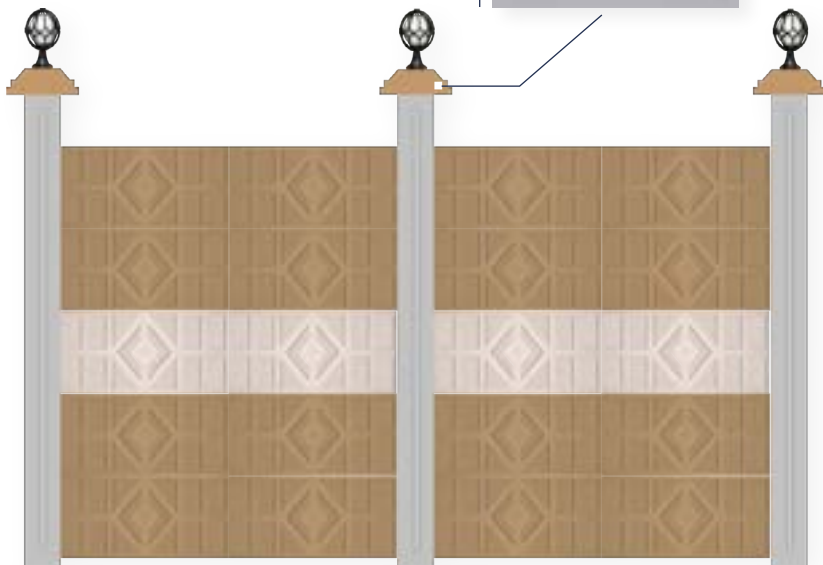
1100 X 180 - 90 X 102

MEASUREMENTS

Standard Length:	1100 mm	Optional Length:	mm
Standard Width:	180 - 90 mm	Optional Width:	mm
Standard Height:	62 mm	Optional Height:	mm
Std.bottom cover thickness:	(X)	Std.bottom cover thickness:	(X)



CONCRETE COPING (WALL CAP) MOULD SAMPLES



200

200

DRK - CONCRETE COPING (WALL CAP)

STANDARD: 200 x 200 x 40 mm



www.megamoulds.com

THICKNESSES



200 x 200 x 40



200 x 200 x 50

200 x 200 x 60



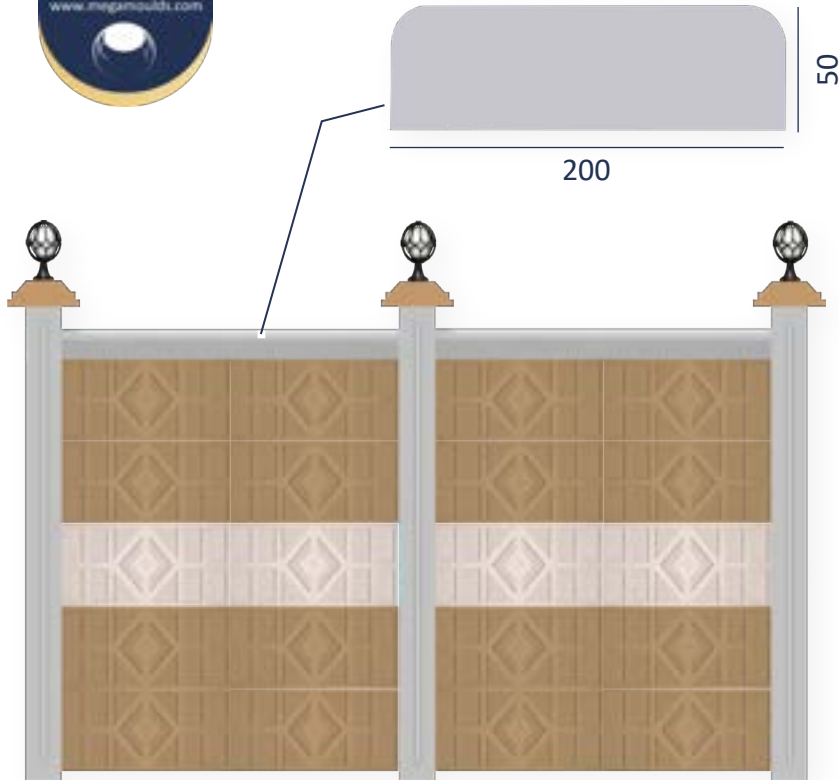
200 x 200 x 70



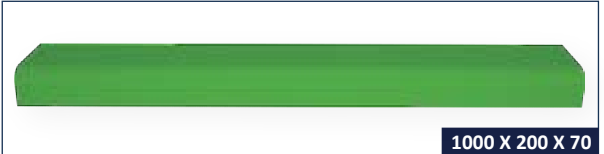
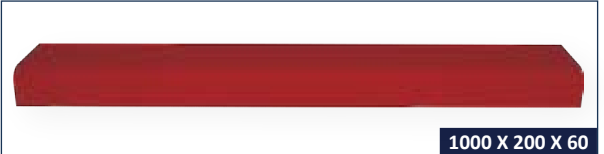
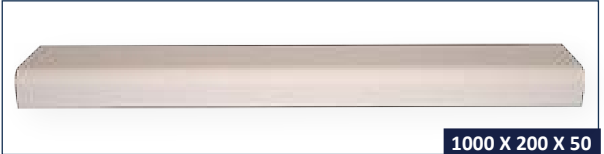
MEASUREMENTS

Standard Length:	200 mm	Optional Length:	mm
Standard Width:	200 mm	Optional Width:	mm
Standard Height:	40 mm	Optional Height:.....	mm
Std.bottom cover thickness:	(X)	Std.bottom cover thickness:	(X)

+90 545 347 17 61
 +90 542 359 67 62
 +90 542 359 67 50
 +90 542 359 67 37
 +90 542 359 67 65
 +90 542 359 67 92



THICKNESSES

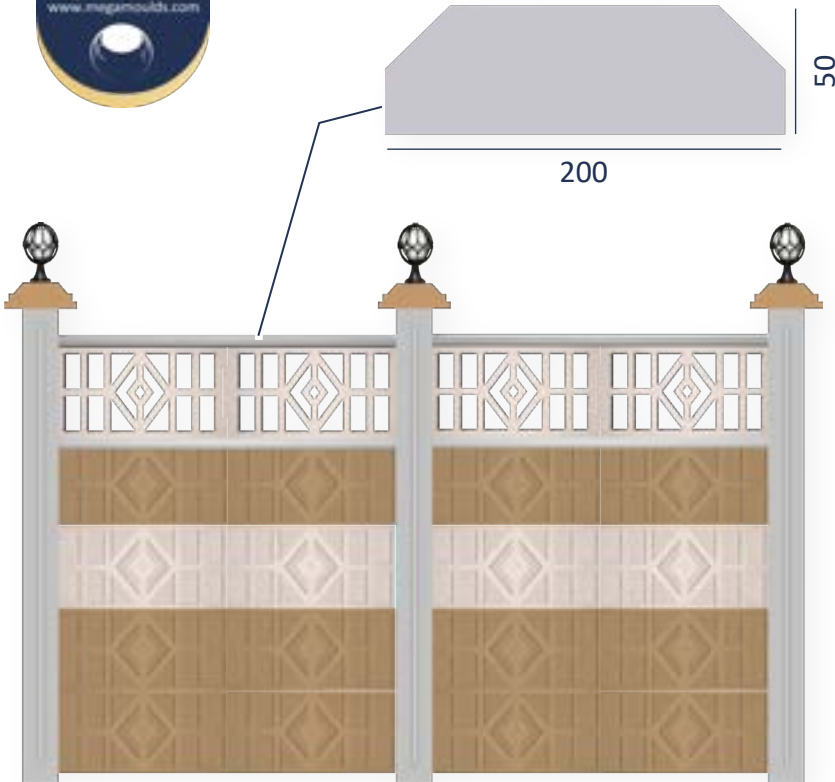


MEASUREMENTS

Standard Length:	1000 mm	Optional Length:mm
Standard Width:	200 mm	Optional Width:mm
Standard Height:	50 mm	Optional Height:mm
Std.bottom cover thickness:	(X)	Std.bottom cover thickness:	(X)

UPPER CONCRETE COPING (WALL CAP)
STANDARD: 1000 x 200 x 50 mm





LOWER CONCRETE COPING (WALL CAP)

STANDARD: 1000 x 200 x 50 mm



www.megamoulds.com

THICKNESSES



1000 X 200 X 50



1000 X 200 X 60



1000 X 200 X 70



1000 X 200 X 80

MEASUREMENTS

Standard Length:	1000 mm	Optional Length:mm
Standard Width:	200 mm	Optional Width:mm
Standard Height:	50 mm	Optional Height:mm
Std.bottom cover thickness:	(X)	Std.bottom cover thickness:	(X)

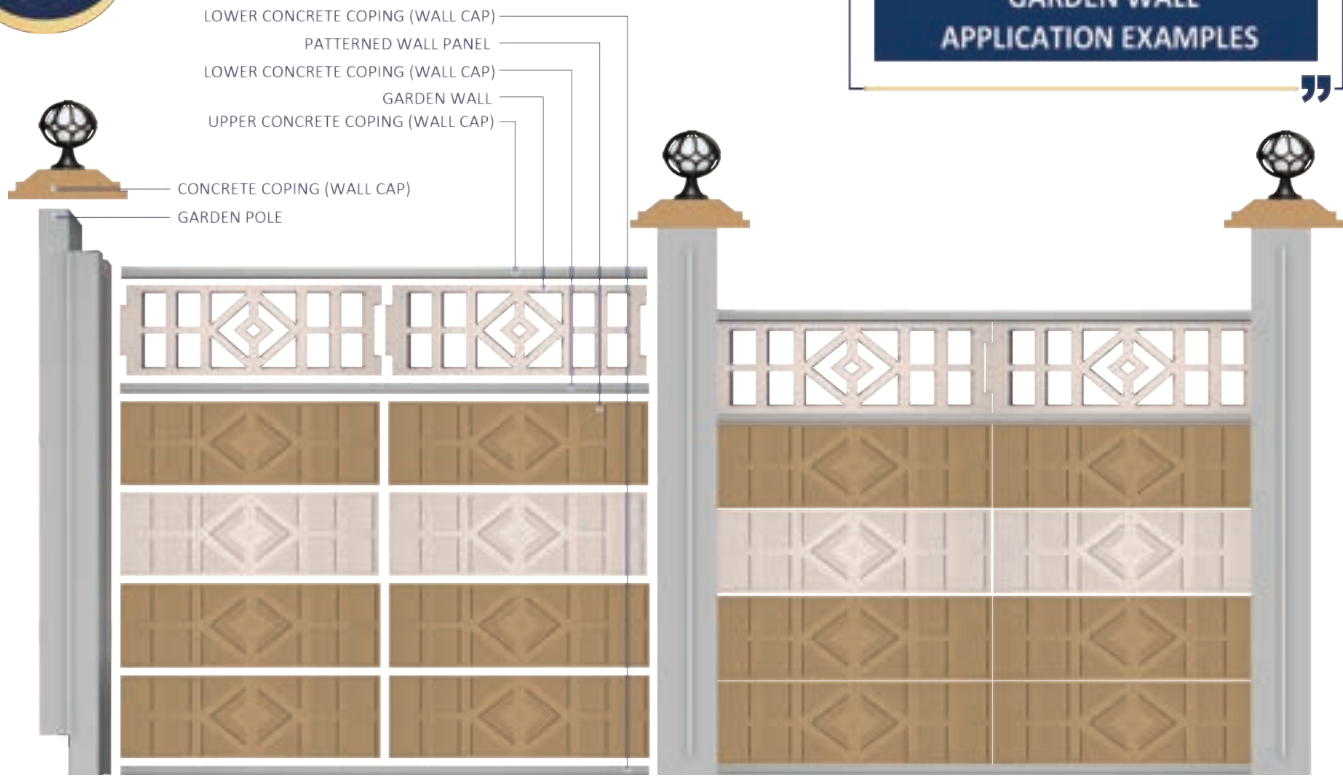
+90 545 347 17 61
 +90 542 359 67 62
 +90 542 359 67 50
 +90 542 359 67 37
 +90 542 359 67 65
 +90 542 359 67 92



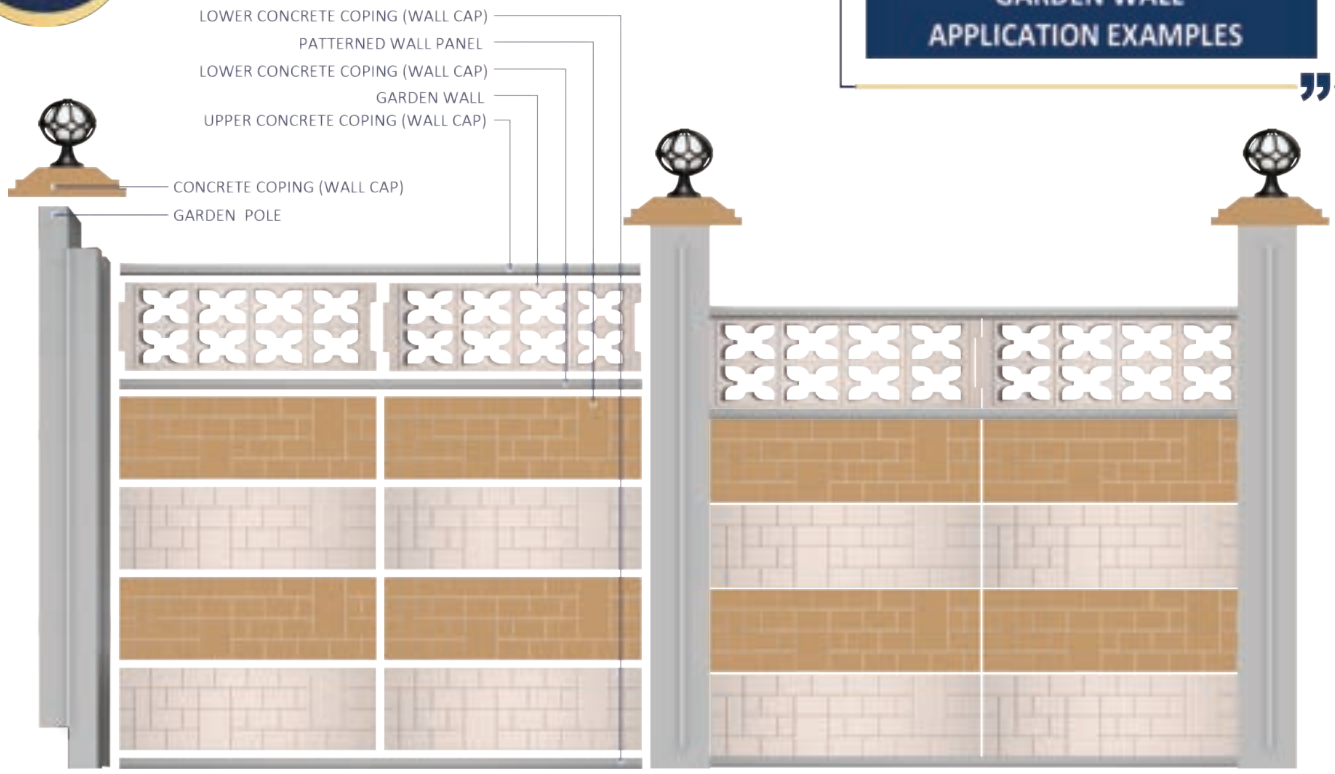
GARDEN WALL APPLICATION EXAMPLES



GARDEN WALL APPLICATION EXAMPLES

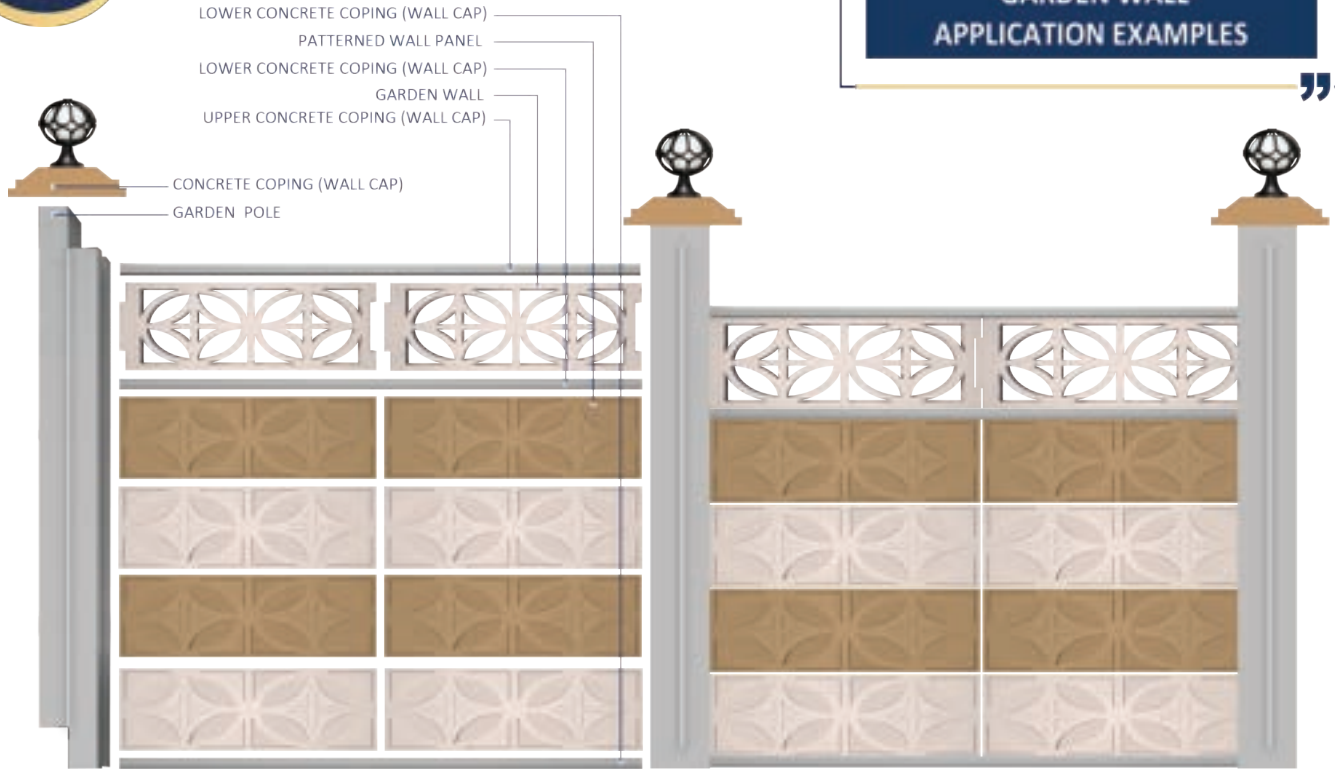


GARDEN WALL APPLICATION EXAMPLES

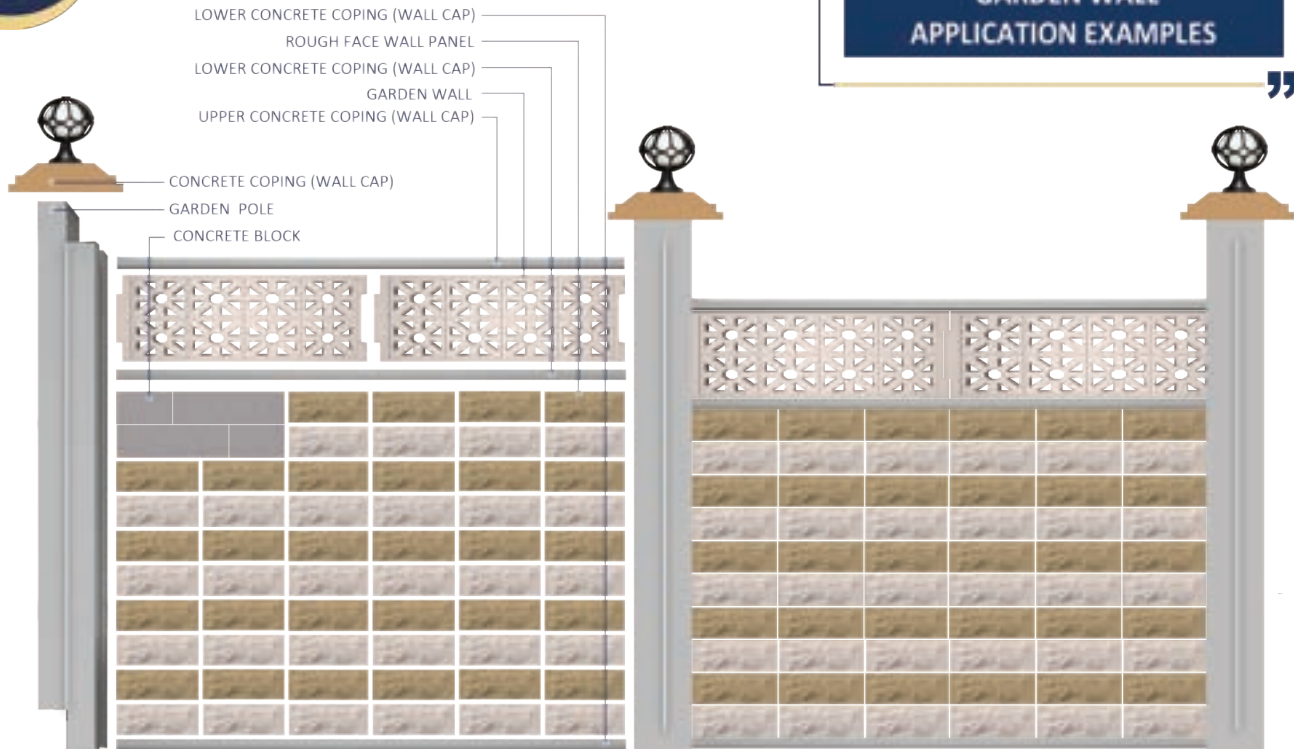




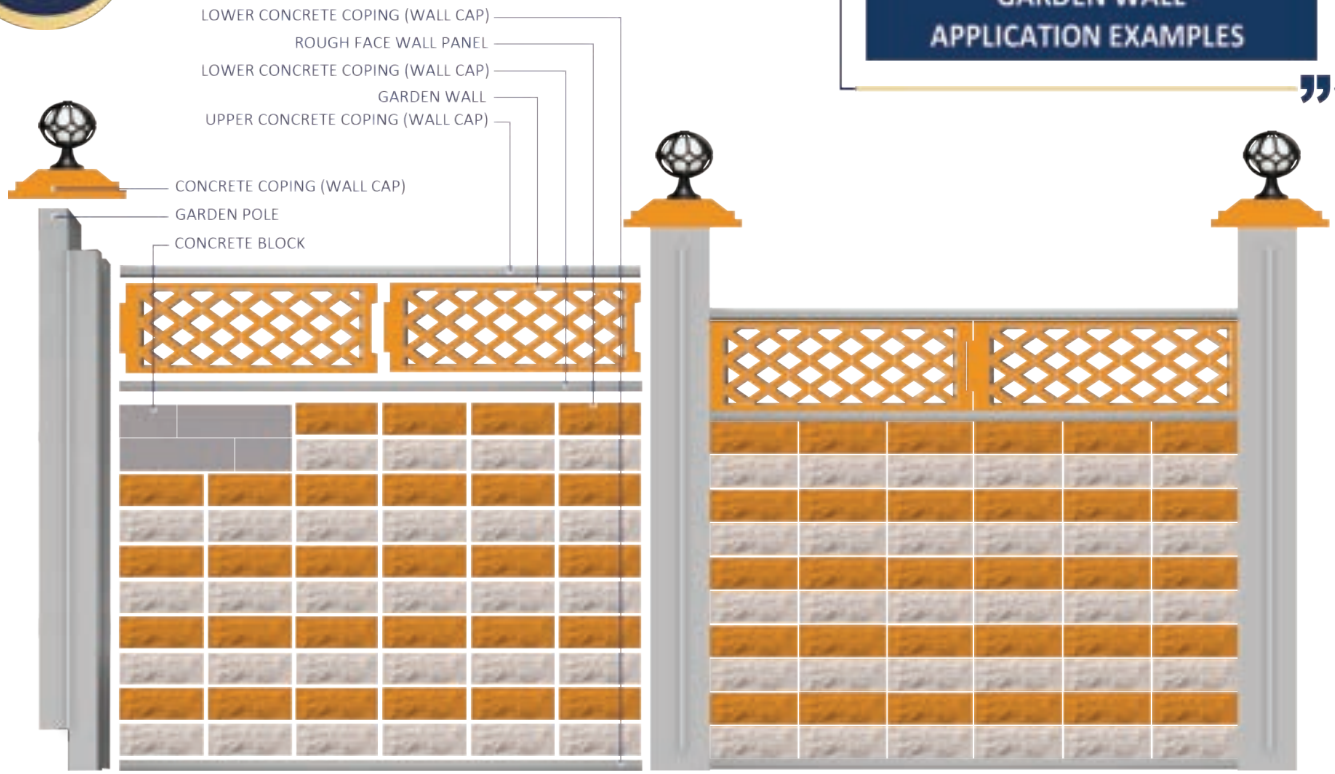
GARDEN WALL APPLICATION EXAMPLES



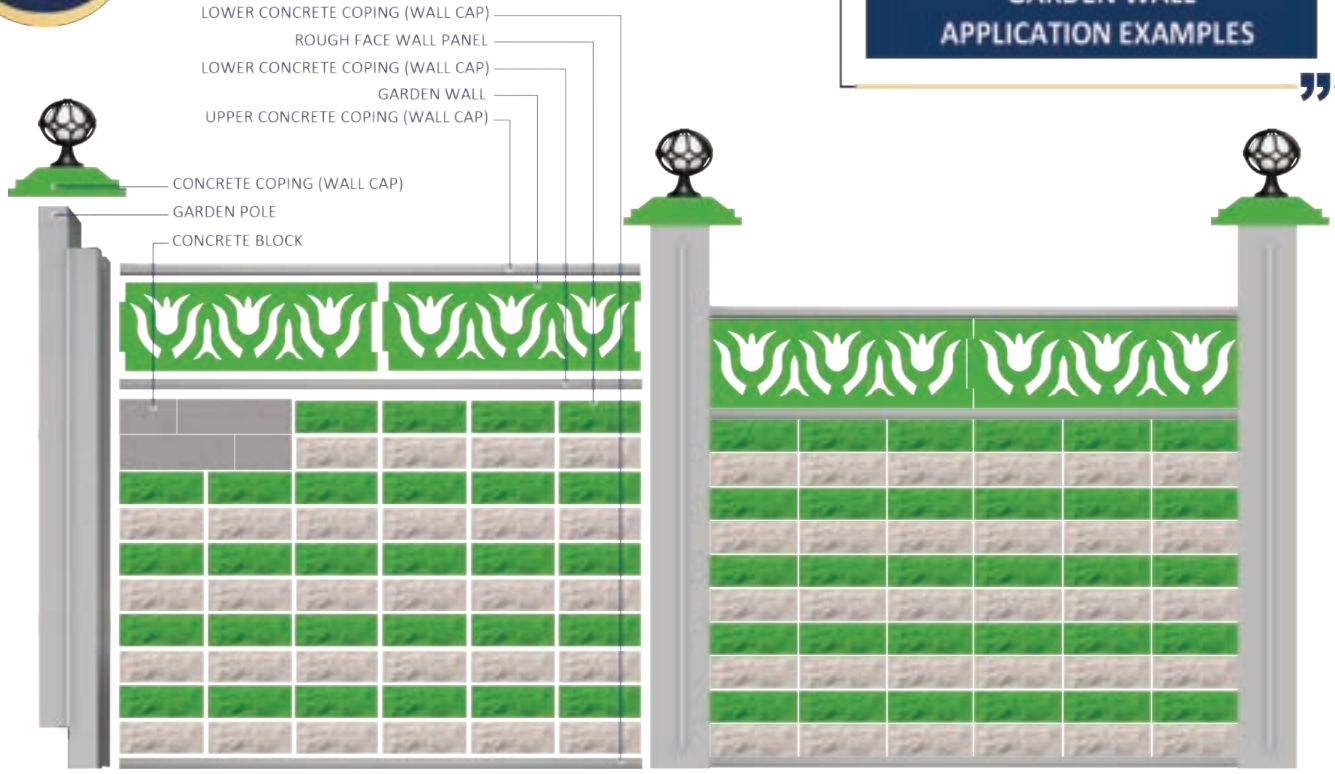
GARDEN WALL APPLICATION EXAMPLES



GARDEN WALL APPLICATION EXAMPLES



GARDEN WALL APPLICATION EXAMPLES







OUR REFERENCES



Pusula Dt-Tiripoli / Libya • Betagglo Ismail Seddouki - Al Houceima / Moroc • Sps Sevko - Tiflis / Georgia • Barmaki Abdella - İn Salah / Algeria • Teknitra Sarl - Bamako / Mali • Alkhor Block Factory - Doha / Qatar • Althania Trading Est - Medina / Saudi Arabia • Kouadio Armand - Abidjan / Ivory Coast • Shareket Barga - Bingazi / Libya • Aliou Dieng - Conakry / Guinée • Morul Tikinti Mmc - Şemkir / Azerbaijan • Gds Ltd - Tiflis / Georgia • Kaderim Auto - Mycop / Russia • Cengiz Ayhan - Yaounde / Cameroun • Total Group Ltd - Aşkaabat / Turkmenistan • Alwaraki Trading Setores - Dhamar / Yemen • Sps Dabi - Zugdidi / Georgia • Readymix Llc - Muscat / Oman • Kss Yalıtım Giresun / Turkey • Asaf Ltd-Marneoli / Georgia • Mohamed Diatta-Dakar / Sénégal • Ltd Turinji- Batum / Georgia • İbrahim Awad - Kahire / Egypt • Sps Kordi - Kutaysi / Georgia • Rustamova Liliya - Mohaçkale / Dağıstan • Euro Dizayn-Tiflis / Georgia • Freshfull-Benghazi / Libya • Ltd Luxor-Tiflis / Georgia • Gza 2015 İvane -Tiflis / Georgia • Mah El Turk - Naukshott / Mauritania • Sabri Sulayman-Kahire / Egypt • Mr.Benjamin-Libreville / Gabon • Dk Export Btp Sarl-Bamako / Mali • Sool Construction-Conakry / Guiné • Ltd.Alpede-Zestafoni / Georgia • Barmaki Abdella - İn Salah / Algeria • Sps Kordi - Tbilisi / Georgia • Fahad S Alanazi - Muscat / Oman • Llc Blok - Batumi Georgia • Sps Blok Georgia - Tiflis / Georgia • Azpod Mehdut - Baku / Azerbaijan • Kardeşler Hafriyat - Trabzon Turkey • Gza 2015 İvane - Tiflis / Georgia • Eurl Labras Lilkaoualeb - El Biar / Algeria • Rehap Trading Est Factory - Muscat / Oman • Al Almanian For Chement - Kahire / Egypt • Çiko Ltd - Akhaltsikhe / Georgia • Almmtda Brick Making-Mısrata /Libya • Atf Mmc- Göyçay Rayonu /Azerbaijan • Begli İlekov-Aşkaabat / Turkmenistan • Muesseset Al Agfali -Hamis / Saudi Arabia • Tkveni Mshenebeli -Bakuryani / Georgia • Yedde Co - Esam A.Halid -Bingazi / Libya • Ryboa Haima Trading Co - Muscat / Oman • Namaz Panaşvili - Marneoli / Georgia • Mahmood Khomri - Medine / Saudi Arabia • Bagri Buchukuri - Dusheti / Georgia • Aradani - Mamuka - Kutaysi / Georgia • Aluvotec Groupe Moussa Diaby - Abidjan/ Cote D'ivoire • Ahmad Omar Khomri - Medine / Saudi Arabia • Allal Nouredine Fabricatin - El Oued / Algeria • Sopramac İmmobilieresa-Bamako / Mali • Ets Ousmane Dioko Keita-Bamako / Mali • Althania Trading - Medine / Saudi Arabia • Belmeliani Lahcene - Tlemcen / Algeria • Aya Stone - Jamal - Marakeş / Morocco







www.megamoulds.com





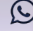

  +90 545 347 17 61

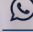

  +90 542 359 67 62


  +90 542 359 67 50


  +90 542 359 67 92

  +90 542 359 67 65

  +90 542 359 67 37

  +90 542 464 88 82

 www.megamoulds.com

 info@megamoulds.com

 [megamouldsen](https://www.linkedin.com/company/megamoulds)

 [megamouldsen](https://www.facebook.com/megamoulds)

 [megamouldsen](https://www.instagram.com/megamoulds)

 [megamouldsen](https://www.twitter.com/megamoulds)

 [megamouldsen](https://www.pinterest.com/megamoulds)

 Sanayi mah. Devlet Karayolu Cad.
No:84/1 - 61100 Trabzon - Turkey

